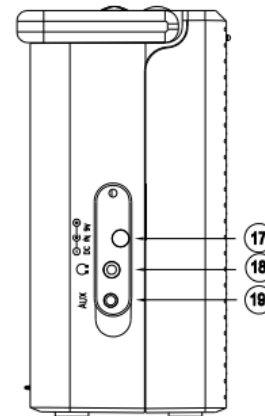
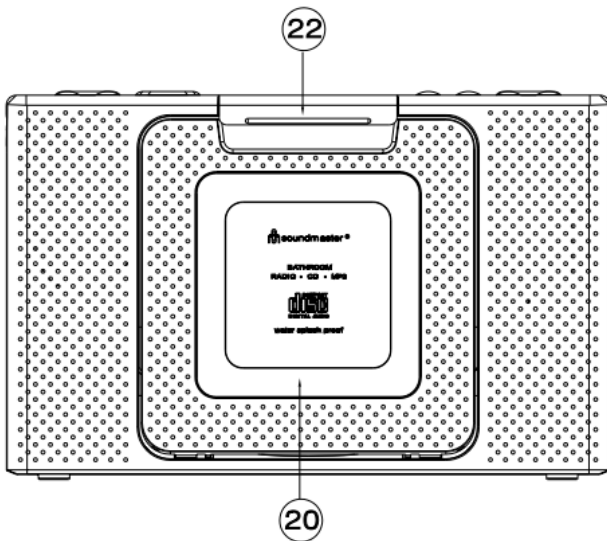
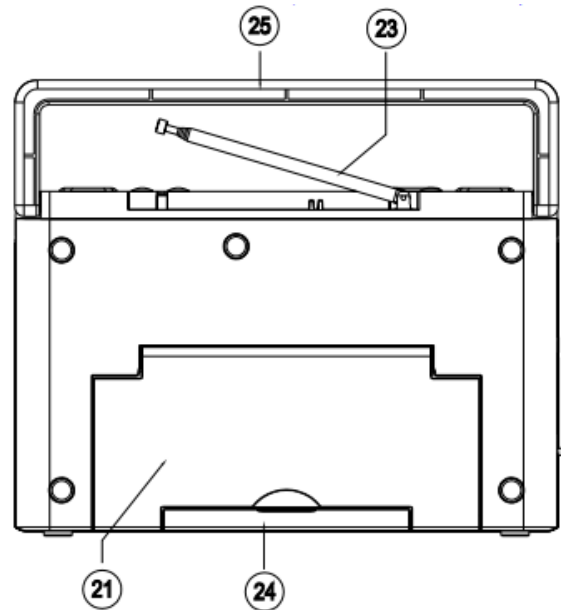
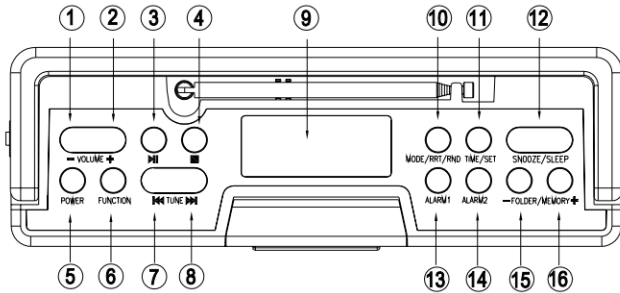


# CONTROL KEYS



- |  |   |
|--|---|
| <ul style="list-style-type: none"> <li>1. VOLUME-</li> <li>2. VOLUME +</li> <li>3. PLAY/PAUSE</li> <li>4. STOP</li> <li>5. POWER</li> <li>6. FUNCTION</li> <li>7. TUNE-</li> <li>8. TUNE +</li> <li>9. LCD DISPLAY</li> <li>10. MODE/RPT/RND</li> <li>11. TIME/SET</li> <li>12. SNOOZE/SLEEP</li> <li>13. ALARM 1</li> </ul> | <ul style="list-style-type: none"> <li>14. ALARM 2</li> <li>15. FOLDER/MEMORY -</li> <li>16. FOLDER/MEMORY +</li> <li>17. DC JACK</li> <li>18. HEADPHONE JACK</li> <li>19. AUX IN SOCKET</li> <li>20. CD COMPARTMENT</li> <li>21. LID OF BATTERY COMPARTMENT</li> <li>22. CD DOOR LOCK</li> <li>23. TELESCOPIC ANTENNA</li> <li>24. BATTERY COMPARTMENT LOCK</li> <li>25. HANDLE</li> </ul> |
|--|---|

## POWER SOURCES

### POWER SUPPLY

- Connect the DC external adaptor supplied (see battery compartment if necessary) to a properly installed 230 V/50 Hz safety power socket and the DC JACK (17) of the machine.
- Ensure that the voltage is the same as that indicated on the model identification plate.
- Make sure that the external adaptor inlet is fully inserted into the appliance.

Note: During CD/MP3 playback operation

The device features an automatic switch-off function in order to keep the energy consumption low. 10 minutes after entering stop mode, e.g. when CD playback has been stopped, the device will turn off. In order to switch the device back on again, press the POWER button (15).

### INSERTING THE BATTERIES (not supplied)

- Release the battery compartment lock (24)
- Open the lid of the battery compartment (21) on the bottom.
- Insert batteries of type 6 x 1.5 V "C" size/UM-2/R14 batteries. Please ensure that the polarity is correct to avoid damage to the appliance (see the floor of the battery compartment)!
- If the device is not used for a long period of item, remove the batteries to avoid the spilling of battery acid.
- Then close the battery lid.

Notes:

- Use batteries of the same type. Never use different types of batteries together.
- When DC external adaptor is connected the batteries are automatically switched off.

## HEADPHONE JACK

For headphone operation, use a headphone set with a 3.5 mm stereo jack plug plugged into the headphone jack. The speakers are switched off.

## TIME SETTING (IN STANDBY MODE)

- In POWER OFF mode, press and hold TIME/SET (11), then the HOUR of clock display will blink.
- Press TUNE- (7) or TUNE+ (8) to set the hour.
- After set the hour, then press TIME/SET (11) to confirm the hour setting, the MINUTE of clock display will blink.
- Press TUNE- (7) or TUNE+ (8) to set the minute.
- Press TIME/SET (11) again when finished the setting.
- LCD display won't blink and the time clock is set.

## LISTENING TO THE RADIO

Note: The preset stations will be lost if the power is interrupted.

### Scanning Stations

- Press POWER (1) to turn on the unit.
- Press FUNCTION (2) to select "RAD" in radio mode.
- Press TUNE- (7) or TUNE+ (8) to tune the radio frequency,
- The radio frequency shows on the LCD display.
- Press and hold TUNE- (7) or TUNE+ (8) for 2 seconds. If you keep the pressing TUNE+/TUNE- button, then the device will search to the next, or previous radio station. The display will show the respective frequency.
- For better reception, reorient the TELESCOPIC ANTENNA (23) direction.
- The volume of radio is default in level 15.

- Press VOLUME- (1) to decrease the volume, the minimum level of volume is level 0.
- Press VOLUME+ (2) to increase the volume, the maximum level of volume is level 30.

### **Presetting radio stations**

The device can preset up to 20 radio stations. To preset a station, follow the steps below:

1. Search for a station as described in “Scanning stations”.
2. Press MODE/RPT/RND (10) enter into preset mode, the LCD DISPLAY (9) with the wordings “PROG” will flash, and the preset number P01 will show on the LCD display.
3. Press FOLDER/MEMORY - (15) or FOLDER/MEMORY+ (16) to select your desired memory number P01 to P20.
4. Press MODE/RPT/RND (10) again to confirm your memory setting, PROG will stop flash and the radio frequency of your preset station will display.
5. Repeat the above steps, you can store your desired stations.

### **Recalling preset radio stations**

1. Select the preset location with the FOLDER/MEMORY + (16) or FOLDER/MEMORY - (15) buttons.

### **Automatic stations scan**

1. Search for a station as described in “Scanning stations”.
2. Press MODE/RPT/RND (10) enter into preset mode, the LCD DISPLAY (9) with the wordings “PROG” will flash, and the preset number P01 will show on the LCD display.
3. Press PLAY/PAUSE (3) once, it will automatically scan all radio stations and store 20 preset stations.

Note:

- The scan will only stop after all 20 preset locations have been filled.
- The order cannot be changed once set.

## **PLAYING CD/MP3**

- Press POWER (1) to turn on the unit.
- Press FUNCTION (2) to select mode in “CD” to play CD disc.
- Release CD DOOR LOCK (22), open the CD COMPARTMENT (20) and place a CD/MP3 disc with the label face to you in the CD compartment.
- Close the CD door and compress the CD door lock.
- After a few seconds the total number of songs/tracks is shown in the display.

Note: In the case of CD in MP3 format the number of folders is briefly displayed at first.

- The CD will play from the first title. The current track and the CD or MP3 message are shown on the display.

Note: With CD in MP3 format the current track and folder are shown alternately in the display.

- The volume of radio is default in level 15.
- LCD display shows “CD” and the CD track when playing CD disc.
- During CD playback, press PLAY/PAUSE (3) to pause CD playing and press PLAY/PAUSE (3) again to resume playback.
- Press TUNE+ (8) once to the next track or press and hold TUNE+ (8) when playing until you find your desired track.
- Press TUNE- (7) once to back to previous track or press and hold TUNE- (7) when playing until you find your desired track.
- Press STOP (4) to stop CD playback.
- Press VOLUME- (1) to decrease the volume, the minimum level of volume is level 0. Press VOLUME+ (2) to increase the volume, the maximum level of volume is level 30.

Always keep the CD deck closed.

Note:

- If no disc is inserted, the message “NO” appears on the display.
- If a disc inserted incorrectly, the message “Err” appears on the display.
- Playback of CDs produced by the user cannot be guarantee due to large variety of software ad CD media available.

## REPEAT/RANDOM OPERATION

When an audio CD, or a CD in MP3 format is playing:

- |                                     |   |  |
|-------------------------------------|---|--|
| Press MODE/RPT/RND (10) once        | = | REPEAT ONE will show on the LCD display.<br>The current track is repeated continuously.<br>“REPEAT” will keep blinks in the LCD display. |
| Press MODE/RPT/RND (10) twice       | = | REPEAT ALL will show on the LCD display.<br>The whole CD disc is played continuously.<br>“REPEAT” will keep show in the LCD display.     |
| Press MODE/RPT/RND (10) three times | = | RAND will show on the LCD display.<br>The songs on CD disc will play randomly.<br>“RAND” will keep show in the LCD display.              |
| Press MODE/RPT/RND (10) four times  | = | All functions are cancelled. The normal play mode is resumed.  |

Only for CDs in MP3 format or files which are playing:

- |                                     |   |  |
|-------------------------------------|---|--|
| Press MODE/RPT/RND (10) once        | = | REPEAT ONE will show on the LCD display.<br>The current track is repeated continuously.<br>“REPEAT” will keep blinks in the LCD display.                         |
| Press MODE/RPT/RND (10) twice       | = | REPEAT FOLDER will show on the LCD display.<br>The selected folder of the MP3 CD is repeated continuously.<br>“REPEAT FOLDER” will keep show in the LCD display. |
| Press MODE/RPT/RND (10) three times | = | REPEAT ALL will show on the LCD display.<br>The whole CD is played continuously.<br>“REPEAT” will keep show in the LCD display.                                  |
| Press MODE/RPT/RND (10) four times  | = | RAND will show on the LCD display.<br>The songs on CD disc will play randomly.<br>“RAND” will keep show in the LCD display.                                      |
| Press MODE/RPT/RND (10) five times  | = | All functions are cancelled. The normal play mode is resumed.  |

## PROGRAMMED PLAY

This can be used to program any desired sequence of tracks.

- Press STOP (4) for 2 seconds to stop playback.
- Press MODE/RPT/RND (10). P01 appears on the display and PROG flashes on the display. Use the TUNE- or TUNE+ to select the desired track then press the MODE/RPT/RND (10) again. The display changes to memory slot P02.
- Select the next track with TUNE+/TUNE- buttons and press MODE/RPT/RND button again. Repeat the procedure until all desired tracks selected.
- Press PLAY/PAUSE button (3). The playback starts. The first selected track number is shown on the display, the message CD or MP3 and PROG is shown on the display.
- Press STOP (4) button will stop playback but not delete the memory.
- To play the programme back again, press PLAY/PAUSE button.
- In order to delete the memory, press 2x STOP button. The PROG icon will disappear.

The device stops automatically once the entire sequence of programmed tracks is completed. The programmed sequence is kept in memory until you switch to a different mode or until the CD is removed or the unit is switched off.

## PLAYING BACK MUSIC IN MP3 FORMAT

With this device it is possible to play back pieces of music in MP3 format. The device also supports all standard CD types: CD, CD-RW, CD-R.

This machine is able to play MP3 CDs. Up to 200 tracks can be compressed and stored these CDs. This CD player detects an MP3 CD automatically (the total number of tracks and MP3s appears the display). If you would like to play one of These CDs, proceed as described under "Playing CDs/MP3". Tracks can be programmed as described under "Playing Back Programmed Tracks".

### Please note:

There are a number of different recording and compression methods, as well as quality differences between CDs and self-recorded CDs.

Furthermore, the music industry does not adhere to fixed standards (copy protection).

For these reasons it is possible that in rare cases there are problems with the playback of CDs and MP3 CDs. This is **not** a malfunction of the device.

## SETTING THE ALARM TIME

You can set up to 2 alarms. As follows:

1. In clock display mode, press the ALARM 1 button (13), 0:00 ALM 1 icon appears on the display. If you press the ALARM 2 (14), 0:00 ALM 2 icon will appear in the display.
2. Press TUNE- (7) or TUNE+ (8) to set the desired alarm hour, then press ALARM 1 (13) to confirm the hour of the alarm time and the minute of alarm clock will flash.
3. Press TUNE- (7) or TUNE+ (8) to set the desired alarm minute, then press ALARM 1 (13) to confirm the minute of the alarm time.
4. After you have decided on an alarm time, select the alarm signal with TUNE+/TUNE- button.
  - With regard to the alarm, you can choose between buzzer "BUZ", radio "RAD" and CD "CD" by pressing TUNE+/TUNE- button.



= Upon reaching the alarm time, a buzzer will sound.



= When the alarm time has been reached, the selected radio station will play.

CD

= When the alarm has been reached, the track 01 of CD/MP3 disc will play.

5. If you have selected RAD as the alarm signal, choose desired radio station location with TUNE+/TUNE- to set your desired radio preset stations, selecting from P01 to P20.

### Notes:

- When the device in BUZ as the alarm signal and turn on, if no button being pressed, the BUZ alarm will automatically off after 1 minute.
- When the device in RAD or CD as the alarm signal and turn on, if no button being pressed, the RAD/CD alarm will automatically off after 1 hour.

### Snooze function

The automatic alarm can be switched off using the SNOOZE/SLEEP button (12) for approx. 9 minutes. The ALARM icon will flash on the display.

Snooze function will be stopped after 3 times Snooze.

### Disabling the alarm

1. Press the ALARM 1/ALARM 2 until the alarm time that you want to deactivate is shown.
2. Select the display with TUNE+/TUNE- button. The alarm time has been deactivated.

### Sleep function

- If you want to listen the radio while fall asleep. You can press SLEEP (12) to set the sleep time.
- With the radio on, press SNOOZE/SLEEP (12) to enter into sleep mode.
- Number “90” shows on the LCD display (9), it states 90 minutes of sleep time and to be set in sequence 90/80/70/60/50/40/30/20/10/OFF.
- Press SNOOZE/SLEEP (12) to choose your desired sleep time, the sleep timer will change by 10 minutes each time you press the SLEEP button (4). SLEEP icon will display on the LCD display.
- The unit will stop playing when the timer countdowns from preset sleep time to the end and then switch off by itself.
- This function can be cancelled with the POWER button (5).

## AUX IN SOCKET

1. Connect the external device with a 3.5 mm stereo jack plug to the AUX-IN socket (19).
2. Press POWER (1) to turn on the unit.
3. Press FUNCTION (2) to select mode in “AUX”.
4. Through the speakers, you can hear the playback of the sound from external device; with the VOLUME +/VOLUME- you can change the volume. The volume of radio is default in level 15. The minimum level of volume is level 0 and the maximum level of volume is level 30.

Note:

- Adjust the volume of the external device to a conformable level.
- After ca. 10 minutes without signal, the device will automatically switch standby.

## TECHNICAL FEATURES

FREQUENCY RANGE:	FM 87.5-108 MHz
POWER SOURCE:	AC 230 V ~ 50 Hz 5 W
BATTERY POWER:	DC 9 V, 6 x SIZE C (BATTERIES NOT INCLUDED)

Specifications are subject to change without further notice.