

# Contents

---

## English

Features .....	2
For your Attention.....	3
Panel.....	4
Connections.....	5
Remote Control.....	7
Remote Control Function .....	8
Trouble shooting.....	9
Specifications.....	10

## Features

---

Thanks for your purchase of our product. Please read through this manual before making connections and operating this product. Retain this manual for future reference.

- Bluetooth playback
- AUX input
- With USB charge port
- Full function remote control

### Package Contents:

**User manual**



**Remote control**



**USB Cable**



# For Your Attention

## Safety, Environmental and Setup Instructions

- Use the device in dry indoor environments only.
- Protect the device from humidity.
- Do not open the device. **RISK OF ELECTRIC SHOCK!** Refer opening and servicing to qualified personnel.
- Connect this device to a properly installed and earthed wall outlet only. Make sure the mains voltage corresponds with the specifications on the rating plate.
- Make sure the mains cable stays dry during operation. Do not pinch or damage the mains cable in any way.
- Disconnect device warning: Main plug is used as the connection, so it should always remain ready operate.
- The mains plug is used as the disconnect device, the disconnect device shall remain readily operable.
- A damaged mains cable or plug must immediately be replaced by an authorized service center.
- In case of lightning, immediately disconnect the device from the mains supply.
- Children should be supervised by parents when using the device.
- Clean the device with a dry cloth only.  
Do NOT use CLEANING AGENTS or ABRASIVE CLOTHS!
- Do not expose the device to direct sunlight or other heat sources.
- Install the device at a location with sufficient ventilation in order to prevent heat accumulation.
- Do not cover the ventilation openings!
- The ventilation should not be impeded by covering the ventilation openings with items, such as newspaper, table-cloths, curtains, etc.
- It shall not be exposed to dripping or splashing and that no objects filled with liquids, such as vases, shall be placed on the apparatus.
- The unit should not be exposed to direct sunlight, very high or low temperature, moisture, vibrations or placed in dusty environment.
- Never attempt to insert wires, pins or other such objects into the vents or opening of the unit.
- Install the device at a safe and vibration-free location.
- No naked flame sources, such as lighted candles, should be placed on the apparatus.
- Install the device as far away as possible from computers and microwave units; otherwise radio reception may be disturbed.
- Do not open or repair the enclosure. It is not safe to do so and will void your warranty. Repairs only by authorized service/ customercenter.
- The device is equipped with a "Class 1 Laser". Avoid exposure to the laser beam as this could cause eye injuries.
- Only use mercury and cadmium-free batteries.
- Batteries shall not be exposed to excessive heat such as sunshine, fire or the like.
- Used batteries are hazardous waste and NOT to be disposed of with the household waste!!! Return the batteries to your dealer or to collection points in your community.
- Keep batteries away from children. Children might swallow batteries. Contact a physician immediately if a battery was swallowed.
- Check your batteries regularly to avoid battery leakage.

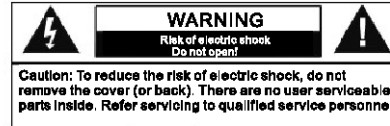
## ENVIRONMENTAL PROTECTION



Do not dispose of this product with the normal household waste at the end of its life cycle. Return it to a collection point for the recycling of electrical and electronic devices. This is indicated by the symbol on the product, user manual or packaging.

The materials are reusable according to their markings. By reusing, recycling or other forms of utilization of old devices you make an important contribution to the protection of our environment.

Please contact your local authorities for details about collection points.



Used batteries are hazardous waste and NOT to be disposed of with the household waste! As a consumer you are legally obligated to return all batteries for environmentally responsible recycling, no matter whether or not the batteries contain harmful substances\*).

Return batteries free of charge to public collection points in your community or to shops selling batteries of the respective kind.

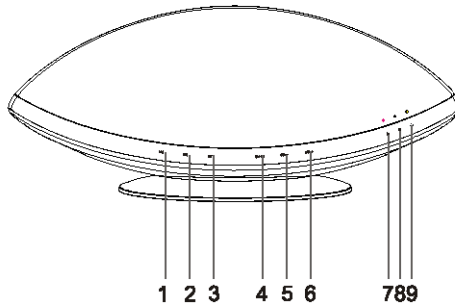
Only return fully discharged batteries.

\*) marked Cd = cadmium, Hg = mercury, Pb = lead

# Panel

---

## FRONT PANEL:

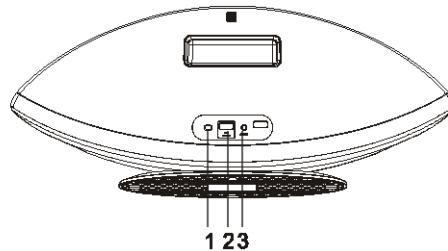


1. PREVIOUS
2. NEXT
3. PLAY/PAUSE
4. STANDBY /SOURCE SELECT
5. VOLUME-
6. VOLUME+

(Note: All the button on the front panel are touch keys)

7. STANDBY (red indicator)
8. BLUETOOTH (blue indicator)
9. AUX IN (green Indicator)

## REAR PANEL:



1. AC INPUT
2. USB charge port

(Note: You can plug the USB power cable that came with your phone, mp3 player, or other mobile device into the USB charge port for charging.

The speaker will turn to auto standby mode about 10 minutes, the USB charge port can be charge battery no matter in standby mode or not. Press [standby] to re-open the speaker.)

3. AUX INPUT

## Connections

---

### AUX IN

This unit has an extra group of audio input terminals. You can input the analogue stereo audio signals from extra devices such as VCD, CD, VCR, MP3 player, etc.

Use the audio cable to connect the stereo audio output terminals of a VCD, CD, VCR player to the stereo input terminals **AUX IN** of this unit. Its corresponding signal source is **AUX IN** which can be available by pressing [SOURCE] on the top panel or pressing [AUX IN] on the remote control.

### Bluetooth Connection

Power on the speaker, you will hear the voice prompt of **PAIRING**, the model of the speaker is BT7000, press [SOURCE SELECT] button on the front panel or press [BLUETOOTH] button on the remote control to switch to the corresponding signal source, use your smart phone to search the bluetooth signal of the speaker, then input the password 0000, when you hear the voice prompt of **YOUR DEVICE IS CONNECTED**, the speaker will synchronize to play songs with your smart phone.

Disconnect the bluetooth on the smart phone to switch off the bluetooth connect and you will hear the voice prompt of **YOUR DEVICE IS DISCONNECT**.

### Reconnected operation

The bluetooth is connected to your smart phone successfully for the first time, disconnect the bluetooth on your smart phone then reconnected it, the player will memories your smart phone and repaired automatically. Press [PLAY/PAUSE] to resume the playback.

Note: ●Bluetooth connection range in 10 meters.

●The model BT7000 in your device was not deleted.

●In bluetooth mode, [PLAY/PAUSE], [NEXT], [PREVIOUS], [VOLUME +/-] etc. are also active.

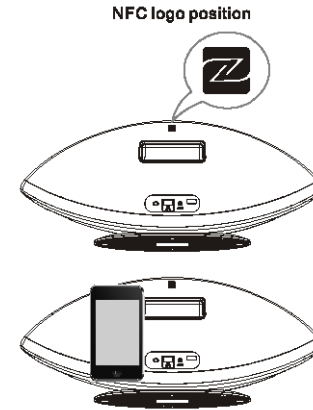


## Connections

---

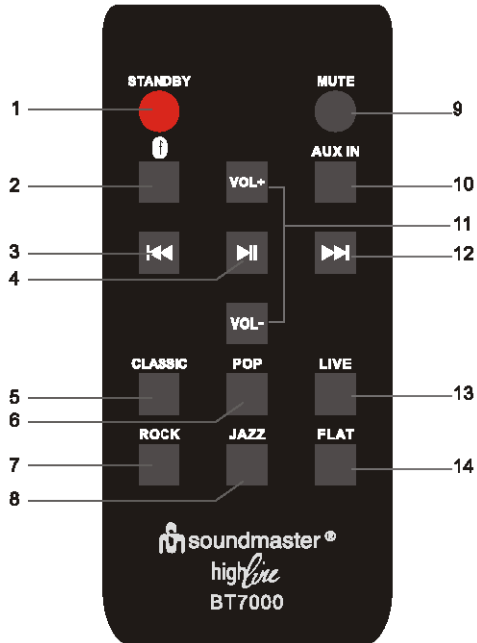
### NFC(Near Field Communication)

- Power on the speaker, the blue indicator flashing means the speaker access in searching bluetooth signal status.
- Open the NFC function in the setup option of your smart phone.
- Put your smart phone on the player as shown in the picture on the right.
- When the blue indicator keeps lighting means NFC function was connected, press [PLAY/PAUSE] button to play.
- Put your smart phone on the speaker again to disconnected the NFC connections.
- Only a part of smart phone have NFC function, likes SAMSUNG, NOKIA etc.



# Remote Control

---



- 1 STANDBY
- 2 BLUETOOTH
- 3 PREVIOUS
- 4 PLAY/PAUSE
- 5 CLASSIC
- 6 POP
- 7 ROCK
- 8 JAZZ
- 9 MUTE
- 10 AUX IN
- 11 VOLUME+/-
- 12 NEXT
- 13 LIVE
- 14 FLAT

# Remote Control Function

---

## OPERATION

STANDBY



● Press to switch on the speaker. press it again to put the unit in standby mode.

BLUETOOTH



● Press to enter to BLUETOOTH mode.

AUX IN



● Press to enter to AUX IN mode.



● Press to temporarily pause a playback. press it again to resume the playback.



● Press to skip to the next track.



● Press to return to the previous track.



● Press [VOLUME+] to turn up the volume.



● Press [VOLUME-] to turn down the volume

MUTE



● Press to temporarily switch off the sound; press it again to switch it on.

CLASSIC/POP/LIVE  
ROCK/JAZZ/FLAT



● Press to switch the equalizer modes.



## Troubleshooting

---

Before resorting to maintenance service, please kindly check by yourself with the following chart.

Symptom	Cause(s)	Remedy
<b>No Power</b>	<ul style="list-style-type: none"> <li>● The DC power cord is not connected to the power supply or is not connected to a power supply securely.</li> </ul>	<ul style="list-style-type: none"> <li>● Please check that the DC power cord is connected securely.</li> </ul>
<b>Sound</b> There is no sound or the sound is distorted.	<ul style="list-style-type: none"> <li>● The volume is set to the minimum level.</li> <li>● The sound is switched off.</li> </ul>	<ul style="list-style-type: none"> <li>● Turn up the volume.</li> <li>● Press [MUTE] on the remote control to switch on the sound.</li> <li>● Press [PLAY/PAUSE].</li> </ul>
<b>The buttons on the unit doesn't work.</b>	<ul style="list-style-type: none"> <li>● The unit is being interfered with static electricity etc.</li> </ul>	<ul style="list-style-type: none"> <li>● Switch off and unplug the unit. Then connect the plug to the power supply and switch it on again.</li> </ul>
<b>The remote control does not function.</b>	<ul style="list-style-type: none"> <li>● There is no battery in the remote control.</li> <li>● The batteries are out of charge.</li> <li>● The remote control isn't pointed to the remote sensor.</li> <li>● The remote control is out of its operating area.</li>   <li>● The unit is shut down.</li> </ul>	<ul style="list-style-type: none"> <li>● Install a battery in it.</li> <li>● Replace the batteries with new ones.</li> <li>● Make sure that the remote control is pointed to the remote control sensor.</li> <li>● Make sure the remote control is within the operating area.</li> <li>● Switch off the unit and disconnect it from the DC outlet. Then power on the unit again.</li> </ul>

## Specifications

---

<b>Power supply</b>		<b>AC ~100-240V,50/60Hz</b>
<b>Power consumption</b>		<b>50W</b>
<b>Power consumption in standby mode</b>		<b>&lt;0.5W</b>
<b>Working environment</b>	<b>Temperature</b>	<b>-10~+35℃</b>
	<b>Relative humidity</b>	<b>5%~90%</b>
<b>Speaker output (Max)</b>		<b>20WX2</b>
<b>USB output (Max)</b>		<b>5V, 1000mA</b>

Hereby, Wörlein GmbH declares that this Bluetooth device is in compliance with the essential requirements and other relevant provisions of Directive 1999/5/EC.  
A copy of the Declaration of Conformity may be obtained at the following location:  
Wörlein GmbH, Gewerbestrasse 12, D 90556 Cadolzburg, Germany