

 soundmaster®



DEUTSCH
ENGLISH
FRANÇAIS
NEDERLANDS

ITALIANO
NORSK
SVENSK

Hersteller

Wörlein GmbH
Gewerbestr. 12
D 90556 Cadolzburg
GERMANY

Tel.: +49 9103/71670
Fax.: +49 9103/716712
Email: info@woerlein.com
Web: www.woerlein.com



NR920

ENVIRONMENTAL PROTECTION



Do not dispose of this product with the normal household waste at the end of its life cycle. Return it to a collection point for the recycling of electrical and electronic devices. This is indicated by the symbol on the product, user manual or packaging.

The materials are reusable according to their markings. By reusing, recycling or other forms of utilization of old devices you make an important contribution to the protection of our environment.

Please contact your local authorities for details about collection points.

	WARNING Risk of electric shock Do not open!	
Caution: To reduce the risk of electric shock, do not remove the cover (or back). There are no user serviceable parts inside. Refer servicing to qualified service personnel.		



This symbol indicates the presence of dangerous voltage inside the enclosure, sufficient enough to cause electric shock.



This symbol indicates the presence of important operating and maintenance instructions for the device.

Safety, Environmental and Setup Instructions

- Use the device in dry indoor environments only.
- Protect the device from humidity.
- Do not open the device. **RISK OF ELECTRIC SHOCK!** Refer opening and servicing to qualified personnel.
- Connect this device to a properly installed and earthed wall outlet only. Make sure the mains voltage corresponds with the specifications on the rating plate.
- Make sure the mains cable stays dry during operation. Do not pinch or damage the mains cable in any way.
- A damaged mains cable or plug must immediately be replaced by an authorized service center.
- In case of lightning, immediately disconnect the device from the mains supply.
- Children should be supervised by parents when using the device.
- Clean the device with a dry cloth only.
Do NOT use CLEANING AGENTS or ABRASIVE CLOTHS!
- Do not expose the device to direct sunlight or other heat sources.
- Install the device at a location with sufficient ventilation in order to prevent heat accumulation.
- Do not cover the ventilation openings!
- Install the device at a safe and vibration-free location.
- Install the device as far away as possible from computers and microwave units; otherwise radio reception may be disturbed.
- Do not open or repair the enclosure. It is not safe to do so and will void your warranty. Repairs only by authorized service/ customer center.
- Only use mercury and cadmium-free batteries.
- Used batteries are hazardous waste and NOT to be disposed of with the household waste!!!
Return the batteries to your dealer or to collection points in your community.
- Keep batteries away from children. Children might swallow batteries.
Contact a physician immediately if a battery was swallowed.
- Check your batteries regularly to avoid battery leakage.
- Batteries shall not be exposed to excessive heat such as sunshine, fire or the like.
- CAUTION: Danger of explosion if battery is incorrectly replaced
Replace only with the same or equivalent type



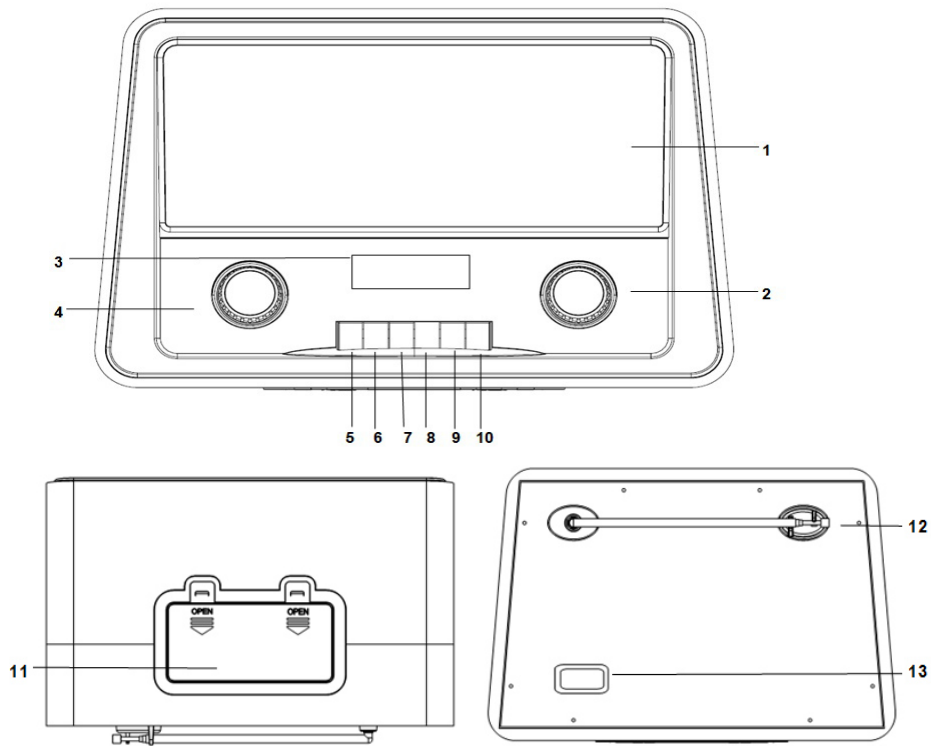
Used batteries are hazardous waste and NOT to be disposed of with the household waste! As a consumer you are legally obligated to return all batteries for environmentally responsible recycling - no matter whether or not the batteries contain harmful substances *).

Return batteries free of charge to public collection points in your community or to shops selling batteries of the respective kind.

Only return fully discharged batteries.

*) marked Cd = cadmium, Hg = mercury, Pb = lead

CONTROL KEYS



1. Speakers	9. MENU button
2. TUNNING / ENTER button	10. PROGRAM / PRESET button
3. LCD display	11. Battery Compartment
4. VOLUME button	12. Antenna
5. POWER button	13. AC socket
6. DAB+/FM button	
7. SCAN button	
8. INFO button	

Quick Guide

Controls	Mode	
	DAB+	FM
POWER	Press to power ON. Hold it to Power OFF.	
DAB+/FM	Press to toggle between DAB+ / FM Mode	
SCAN	Press to perform a full scan	Press to forward scan for next available station
		Press and hold to backwards scan for the next available station
INFO	Press to toggle through various station information	
MENU	Press to for Menu option	
PROGRAM/PRESET	Press and hold to set a preset station	
	Press to recall a preset	
ENTER	Press to confirm the option	
TUNING	Rotate clock wise: Go to the next station/option	Rotate clock wise: Increase frequency by one step (0.05MHz)
	Rotate anti- clock wise: Go to the previous station/option	Rotate anti- clock wise: Press to decrease frequency by one step (0.05MHz)
VOLUME	Rotate clock wise: increase the volume level	
	Rotate anti- clock wise: decrease the volume level	

AC OPERATION

Before operation, please make sure that the VOLTAGE mentioned on the unit is same as the voltage of your local area. Unravel the AC power cord, insert one end into the AC socket on the set and the other end into a standard AC outlet..

ATTENTION

1. Do not plug or unplug the power cable while you have wet hands;
2. If you plan not to use the unit for a long time, disconnect the power cable from the wall outlet;
3. When disconnecting the power cord from the wall outlet, do not pull on the cord in order to avoid shock risks caused by damaged cable.

BATTERY OPERATION

Disconnect the AC Cord Set completely. Open the Battery Compartment Door and insert 4 pieces UM-2 "C" size batteries into the battery compartment with battery polarity as shown inside the battery compartment.

INITIAL START-UP

When using your Digital radio for the first time, please follow the below steps:

1. Connecting the power cord to the main socket, or put 4 x C size batteries into the battery compartment, to power the radio.
2. Extend the telescopic aerial completely.
3. Press the POWER button to turn the radio on. The radio will perform an initial DAB+ scan to search for the available radio stations.
4. Once the scan is complete, the first station will be play. You can change stations using the UP and DOWN buttons, or by stopping on the station you wish to listen to.

Remark:

If no stations are found, switch the radio off and move it to a location with a stronger signal. When you switch the radio back on it will automatically repeat the scan process.

DAB+ MODE

Press the DAB+/FM button to set the radio to DAB+ mode.

Performing a Full Scan:

1. Press the SCAN button to perform a full scan

Note: When first used, your Digital radio scanned the DAB band for available stations. The station services found were then stored in your radio's memory. You can rescan the band at anytime if you move to a different area or just refresh the stored list of available stations.

The scanning process will take a few minutes. The number of services found during the scan will be shown at the right side of the display.

After the scan, the radio will re-tune to the last station playing if it is available. Alternatively, you can continue to browse for another station.

Performing a Manual Tuning:

1. Press MENU button and rotate the TUNNING button to select "Manual Tune" and press Enter to confirm. .
2. Rotate the TUNNING button toggle through the frequencies to tune a station.
3. Press the Enter button to confirm the frequency and exit from "Manual Tuning".

Note: The multiplex channel number and frequency is displayed. If a station multiplex exists on this frequency, the multiplex name will also be displayed and the first station in the multiplex will play.

FM MODE

Press the DAB+/FM button to set the radio to FM Mode.

Auto Tuning:

1. To scan upwards, press the SCAN button to tune the next available station.
2. To scan downwards, press and hold the SCAN button to tune the next available station.

Note: Tuning will stop automatically when the next station is reached.

Manual Tuning:

1. Press the UP and DOWN button to tune up or down the frequency by MHz.

FM MONO / AUTO Mode

In FM mode, press ENTER to toggle through MONO or AUTO Mode.

ANCILLARY FUNCTIONS

1. Preset function

The Digital radio can store up to 10 DAB and 10 FM stations as presets for instant access to your favorite stations.

Storing a station preset:

1. Tune your Digital radio to the station you wish to store as a preset.
2. Press and hold the PRESET button until "Preset Empty 1" appears with the number flashing.
3. Using the UP and DOWN buttons, select the preset number you wish to use and press ENTER button to store that station into the radio memory.

Note: When you store a preset, the preset number and "Stored" will be displayed to confirm the number you selected. You can choose a preset number that is already in use. The new station details will over-write the stored station.

Recalling a preset station:

1. Press the PRESET button until the first preset appears.
2. Using the UP and DOWN buttons, scroll through the station presets.
3. Press the ENTER button to select the station you wish to listen to.

2. Browse station Information

Press the Info button repeatedly to view information transmitted by the station in DAB / FM modes.

DAB+ mode	FM mode
1.DLS Information	1. RDS Information
2.Program Type	2. Program Type
3.Signal Strength	3. Signal Strength
4.Multiplexer name	4. Channel Frequency
5.Frequency	5. Audio Mode
6.Audio Bit Rate	6. Time and Date
7.Time and Date	

DLS (Dynamic Label Segment): This is a scrolling message giving real-time information – song titles, news headlines, or detail of the program and is provided by the broadcaster.

Audio Bit Rate: This displays the digital audio bit rate being received.

Program Type: This describes the style of the program being broadcast

Multiplex number.

3. System Reset

1. Press MENU button and rotate the TUNNING button to select "System Reset".
2. Press ENTER when prompted to perform the system reset.

The radio will return to DAB mode and perform an initial DAB+ scan on start-up.

Note: Any presets or setting stored will be permanently deleted.


4. Prune

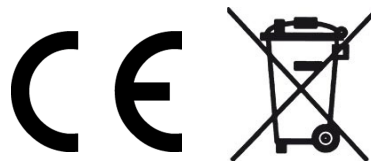
You may remove all unavailable stations from the list.

1. In DAB mode Press MENU button and rotate the TUNING button to select "Prune".
2. Press ENTER button to confirm.

SPECIFICATIONS

Frequency Range: FM 87.5 - 108 MHz
 DAB: 174 -340 MHz

Power Supply: AC 230V ~ 50Hz
 DC 6V  (UM-2 x 4)



Specifications are subject to change without further notice.