



DEUTSCH  
ENGLISH  
FRANÇAIS  
NEDERLANDS

ROMÂNĂ  
ESPAÑOL  
NORSK



**CAUTION**

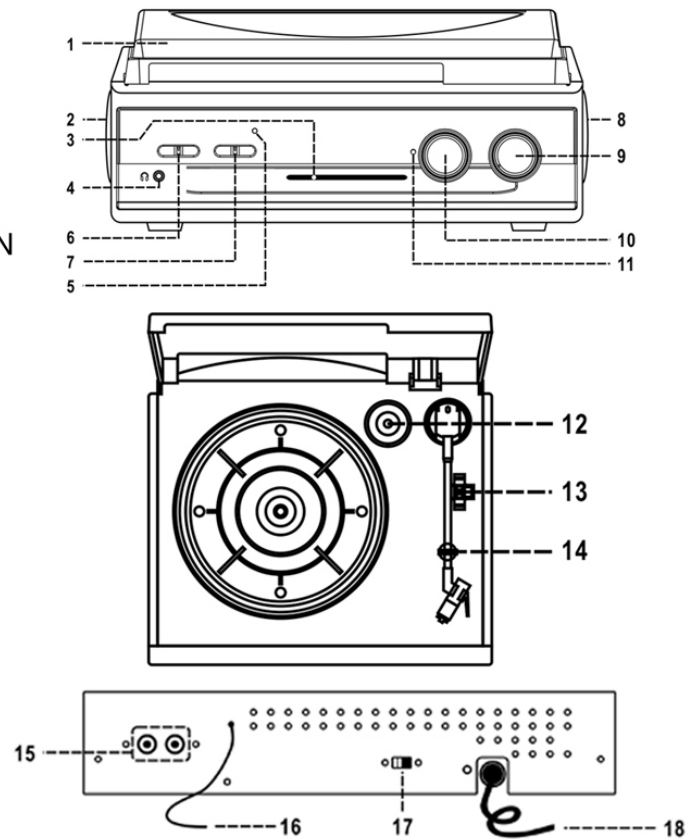
**RISK OF ELECTRIC SHOCK  
DO NOT OPEN**



WARNING: SHOCK HAZARD - DO NOT OPEN  
AVIS: RISQUE DE CHOC ÉLECTRONIQUE - NE PAS OUVRIR  
WARNUNG: ELEKTROSHOCK GEFAHR - NICHT ÖFFNEN

## LOCATION OF CONTROLS

- 1) DUST COVER
- 2) LEFT SPEAKER
- 3) DIAL POINTER
- 4) 3.5MM HEADPHONE JACK
- 5) POWER LED INDICATOR
- 6) POWER OFF/FUNCTION SELECTOR BUTTON
- 7) BAND/FM STEREO SELECTOR
- 8) RIGHT SPEAKER
- 9) ROTARY VOLUME KNOB
- 10) TUNING KNOB
- 11) FM STEREO LED INDICATOR
- 12) SPINDLE ADAPTOR
- 13) 33/45/78 RPM SPEED SELECTOR
- 14) PICK-UP HOLDER
- 15) LINE OUT SOCKET
- 16) FM ANTENNA
- 17) AUTO STOP SWITCH
- 18) AC CORD



### CAUTION:

USAGE OF CONTROLS OR ADJUSTMENTS OR PERFORMANCE OF PROCEDURES OTHER THAN THOSE SPECIFIED HEREIN MAY RESULT IN HAZARDOUS RADIATION EXPOSURE. THIS UNIT SHOULD NOT BE ADJUSTED OR REPAIRED BY ANYONE EXCEPT QUALIFIED SERVICE PERSONNEL.

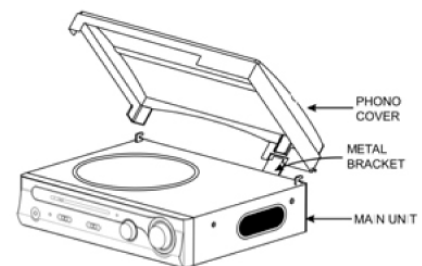
## PRECAUTIONS FOR USE

### INSTALLATION

- UNPACK ALL PARTS AND REMOVE PROTECTIVE MATERIAL.
- DO NOT CONNECT THE UNIT TO THE MAINS BEFORE CHECKING THE MAINS VOLTAGE AND BEFORE ALL OTHER CONNECTIONS HAVE BEEN MADE.
- DO NOT COVER ANY VENTS AND MAKE SURE THAT THERE IS A SPACE OF SEVERAL CENTIMETERS AROUND THE UNIT FOR VENTILATION.

## TOP COVER ASSEMBLY

1. PUSH THE METAL BRACKET TO REAR SIDE.
2. CONNECT THE METAL BRACKET TO THE TOP COVER
3. CONNECT THE HINGE OF THE TOP COVER TO THE MAIN UNIT



## CONNECTION

4. CONNECT THE POWER CORD TO AC OUTLET
5. SWITCH THE SYSTEM TO "RADIO" FUNCTION. IF THE POWER LED INDICATOR IS ON WITH RED LIGHT, IT'S MEAN THE POWER SUPPLY IS NORMAL. NOW YOUR SYSTEM IS READY TO PLAY THE MUSIC.

## LISTENING TO RADIO

### MANUAL TUNING

1. PRESS "FUNCTION/BAND" BUTTON AND SELECT THE DESIRED BAND (AM OR FM OR FM-STEREO).
2. TUNE TO THE REQUIRED STATION BY TURNING THE TUNING KNOB.
3. ADJUST VOLUME KNOB TO THE DESIRED VOLUME LEVEL.

## FM & FM-STEREO RECEPTION

- SET THE FM MODE SELECTOR AT “ FM ” POSITION. PROGRAMS ARE RECEIVED IN MONO MODE. IN PARTICULAR WHEN STEREO SIGNALS ARE WEAK. IT IS PREFERABLE TO RECEIVE THE PROGRAM IN MONO.
- SET THE FM MODE SELECTOR AT “FM-ST” POSITION FOR RECEIVING STEREO PROGRAMS. THE LED “ST” INDICATOR WILL LIGHT UP TO SHOW FM STEREO PROGRAM IS RECEIVING.

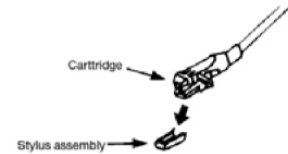
## HINTS FOR BEST RECEPTION:-

- AM : THE RECEIVER HAS A BUILT-IN AM BAR ANTENNA. IF AM RECEPTION IS WEAK, SLIGHTLY ROTATE OR RE-POSITIONING OF THE UNIT WILL USUALLY IMPROVE THE AM RECEPTION.
- FM : THE RECEIVER HAS A BUILD-IN FM WIRE ANTENNA HANGING AT THE REAR CABINET. THIS WIRE SHOULD BE TOTALLY UNRAVELED AND EXTENDED FOR BEST RECEPTION.

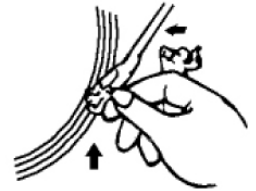
## PHONO

### NOTED:

- REMOVE THE STYLUS PROTECTOR.
- BE SURE THAT THE TONE ARM IS BEING DETACHED FROM THE TONE ARM REST BEFORE OPERATING AND RE-SECURED AGAIN AFTERWARDS.



1. SELECT TO “ PHONO ” FUNCTION.
2. SET THE SPEED SELECTOR TO THE PROPER POSITION DEPENDING ON THE RECORD TO BE PLAYED.
3. PLACE THE RECORD ON THE PLATTER (USE THE SPINDLE ADAPTOR IF REQUIRED).
4. LIFT THE TONE ARM FROM THE REST AND SLOWLY MOVE IT TO THE RECORD SIDE. THE PLATTER WILL START TO ROTATE.
5. PLACE THE TONE ARM TO THE DESIRED POSITION OF THE RECORD.
6. ADJUST THE VOLUME TO THE DESIRED LEVEL.
7. AT THE END OF RECORD, THE PLATTER WILL AUTOMATICALLY STOP ROTATING. LIFT THE TONE ARM FROM THE RECORD AND RETURN IT TO THE REST.
8. TO STOP MANUALLY, LIFT THE TONE ARM FROM THE RECORD AND RETURN IT TO THE REST.



**REMARK :** AS SOME KIND OF RECORD THE AUTO-STOP AREA WAS OUT OF THE UNIT SETTING, SO IT WILL STOP BEFORE THE LAST RACK FINISH. IN THIS CASE, SELECT THE AUTO-STOP SWITCH TO “ OFF “ POSITION, THEN IT WILL RUN TO THE END OF THE RECORD BUT WILL NOT STOP AUTOMATICALLY (TURN OFF THE UNIT BY POWER BUTTON OR SWITCH BACK THE AUTO-STOP SWITCH TO “ ON “ POSITION TO STOP THE PLATTER ROTATE). THEN PUT BACK THE TONE ARM TO THE REST POSITION.

## LINE OUT CONNECTION

YOU CAN CONNECT THE SYSTEM TO YOUR WHOLE HI-FI SYSTEM BY CONNECTING THE LINE OUT SOCKET (15) TO THE AUXILIARY INPUT SOCKET WITH A RCA CABLE (NOT INCLUDED).

**REMARK :** THE SOUND FROM THE ORIGINAL BUILD-IN SPEAKER WILL NOT BE TERMINATED EVEN AFTER CONNECTING TO OTHER HI-FI SYSTEM VIA LINE OUT SOCKET. YOU CAN TURN THE VOLUME OF SYSTEM TO MINIMUM LEVEL IF YOU PREFER THE SOUND COMING FROM THE HI-FI SYSTEM ONLY.

### Technical

FM-UKW frequency	87,5 – 108MHz
AM-MW frequency	540 – 1600KHz
Turntable	33, 45, 78 rpm
Power consumption	14 Watt
Power output	2 x 15W P.M.P.O.
AC	AC 230V 50Hz