



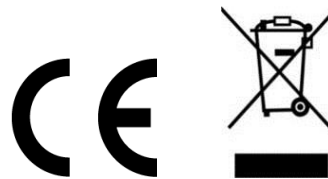
**DEUTSCH**  
**ENGLISH**  
**FRANÇAIS**  
**NEDERLANDS**

**PORTUGUÊS**  
**ESPAÑOL**  
**SLOVENSKÝ**  
**ČEŠTINA**

**Hersteller**

Wörlein GmbH  
Gewerbestr. 12  
D 90556 Cadolzburg  
GERMANY

Tel.: +49 9103/71670  
Fax.: +49 9103/716712  
Email: [info@woerlein.com](mailto:info@woerlein.com)  
Web: [www.woerlein.com](http://www.woerlein.com)



**ENVIRONMENTAL PROTECTION**



Do not dispose of this product with the normal household waste at the end of its life cycle. Return it to a collection point for the recycling of electrical and electronic devices. This is indicated by the symbol on the product, user manual or packaging

The materials are reusable according to their markings. By reusing, recycling or other forms of utilization of old devices you make an important contribution to the protection of our environment.

Please contact your local authorities for details about collection points.

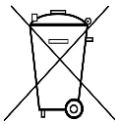
	<b>WARNING</b> Risk of electric shock Do not open!	
Caution: To reduce the risk of electric shock, do not remove the cover (or back). There are no user serviceable parts inside. Refer servicing to qualified service personnel.		



**This symbol indicates the presence of dangerous voltage inside the enclosure, sufficient enough to cause electric shock.**



This symbol indicates the presence of important operating and maintenance instructions for the device



Used batteries are hazardous waste and NOT to be disposed of with the household waste! As a consumer you are legally obligated to return all batteries for environmentally responsible recycling – no matter whether or not the batteries contain harmful substances\*)

Return batteries free of charge to public collection points in your community or shops selling batteries of the respective kind.

Only return fully discharged batteries

\*) marked Cd = cadmium, Hg = mercury, Pb = lead

- Only use mercury and cadmium-free batteries.
- Used batteries are hazardous waste and NOT to be disposed of with the household waste!!!
- Keep batteries away from children. Children might swallow batteries.
- Contact a physician immediately if a battery was swallowed.
- Check your batteries regularly to avoid battery leakage.
- Batteries shall not be exposed to excessive heat such as sunshine, fire or the like.
- CAUTION: Danger of explosion if battery is incorrectly replaced
- Replace only with the same or equivalent type

	<b>WARNING</b>
<b>DO NOT INGEST BATTERY, CHEMICAL BURN HAZARD</b>	
This product contains a coin/button cell battery. If the coin/button cell battery is swallowed, it can cause severe internal burns in just 2 hours and can lead to death.	
Keep new and used batteries away from children. If the battery compartment does not close securely, stop using the product and keep it away from children.	
If you think batteries might have been swallowed or placed inside any part of the body, seek immediate medical attention.	

	<b>To prevent possible hearing damage, do not listen at high volume levels for long periods</b>
--	---

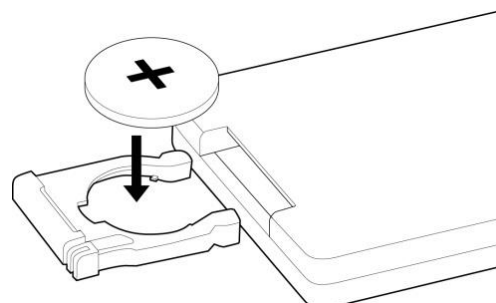
- Use the device in dry indoor environments only.
- Protect the device from humidity.
- This apparatus is for moderate climates areas use, not suitable for use in tropical climates countries.
- No objects filled with liquids, such as vases, shall be placed on the apparatus.
- The mains plug or an appliance coupler is used as the disconnect device, the disconnect devices shall remain readily operable.
- Connect this device to a properly installed and earthed wall outlet only. Make sure the mains voltage corresponds with the specifications on the rating plate.
- Make sure the mains cable stays dry during operation. Do not pinch or damage the mains cable in any way.
- A damaged mains cable or plug must immediately be replaced by an authorized service center.
- In case of lightning, immediately disconnect the device from the mains supply.
- Children should be supervised by parents when using the device.
- Clean the device with a dry cloth only.
- Do NOT use CLEANING AGENTS or ABRASIVE CLOTHS!
- Do not expose the device to direct sunlight or other heat sources.
- Install the device at a location with sufficient ventilation in order to prevent heat accumulation.
- Do not cover the ventilation openings!
- Install the device at a safe and vibration-free location.
- Install the device as far away as possible from computers and microwave units; otherwise radio reception may be disturbed.
- Do not open or repair the enclosure. It is not safe to do so and will void your warranty. Repairs only by authorized service/ customer center.
- No naked flame sources, such as lighted candles, should be placed on the unit.
- When you are necessary to ship the unit store it in its original package. Save the package for this purpose.
- In case of malfunction due to electrostatic discharge or fast transient (burst), remove and reconnect the power supply.
- If the unit is not using for a long period of time, disconnect it from the power supply by unplugging the power plug. This is to avoid the risk of fire.

## REMOTE CONTROL

### Battery replacement

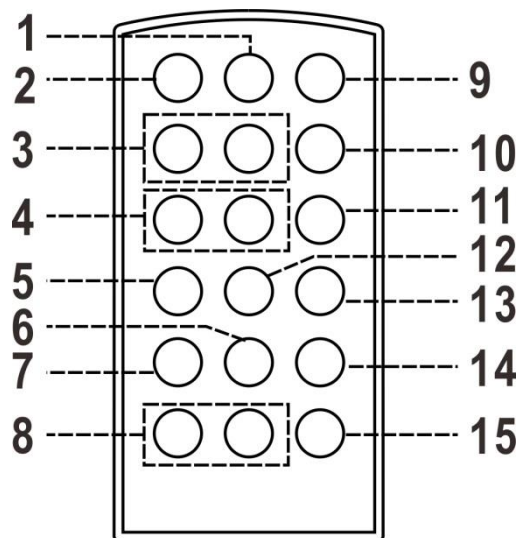
The battery compartment is located on the back of the remote control.

1. Remove the battery compartment door by pressing in on the tab and lifting it off.
2. Insert one (1) CR2032 size batteries into the battery compartment following the polarity markings inside the battery compartment.
3. Replace the battery compartment door.



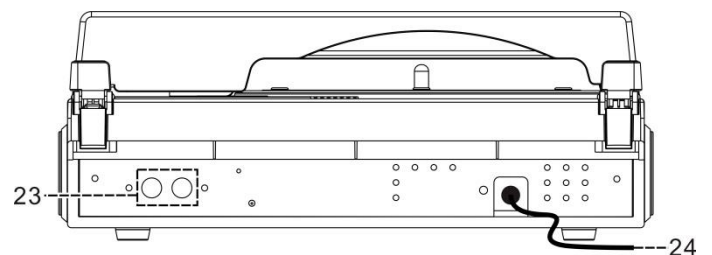
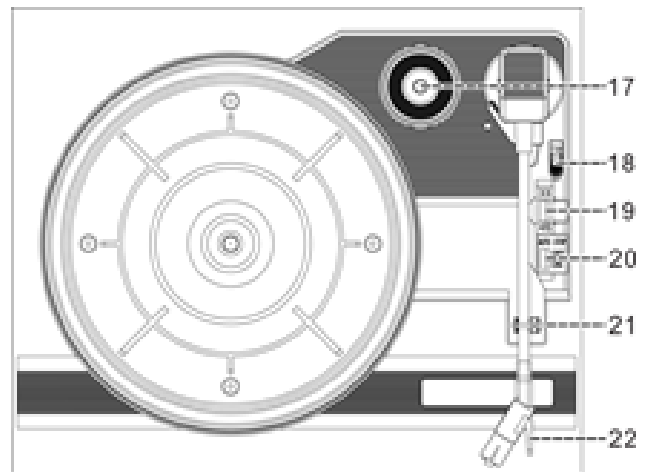
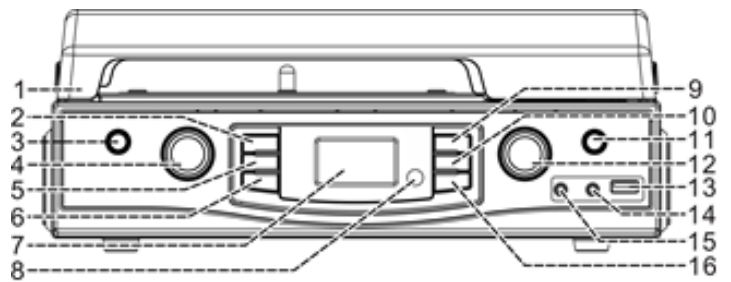
### Button description

- |                              |   |  |
|------------------------------|---|--|
| 1. FUNC“                     | Press to select the functions (Phono/USB/Aux/Radio)   |  |
| 2. On/Standby                | Press to switch on/standby the system   |  |
| 3. Skip up ►► / down ◄◄      | Select next / previous track<br>Tuning up / down in Radio mode  |  |
| 4. FOLDER/PRESET ▲ / ▼       | Press to skip up/down the album<br>Press to up / down Preset  |  |
| 5. REP/INTRO/RAN             | Press to active repeat /intro/<br>random function for USB playback  |  |
| 6. DISPLAY                   | Press to display difference information of the system   |  |
| 7. <b>TS</b>                 | In encoding mode : press to active track separation function  |  |
| 8. VOLUME +/-                | Press to adjust volume level up/<br>down  |  |
| 9. REC                       | Press to encode the tracks in the MP3 format  |  |
| 10. Play/pause ►   ST / MONO | Press once to start USB playback. Press once again to pause play temporarily  |  |
| 11. Stop ■                   | In USB mode : press to terminate playback or cancel programmed memory.  |  |
| 12. INFO/DELETE              | In MP3 playback mode : press to active ID3 function<br>In USB mode : press to active file delete function                               |  |
| 13. MEN/CLK-ADJ              | In USB mode : press to active tracks program function<br>In standby mode : press to adjust clock  |  |
| 14. SLEEP/TIMER              | In on mode : press to active sleep function<br>In standby mode : press to set the alarm on/off time and active/de-active alarm function |  |
| 15. EQ                       | Press to select different EQ mode   |  |



## LOCATIONS OF CONTROLS

1. Dust cover
2. Stop button
3. EQ button
4. Function knob
5. Skip down ◀◀ button
6. Record ● button
7. LCD display
8. Remote sensor
9. Play/Pause /ST/MONO button
10. Skip up ▶▶ button
11. Folder PRE ▲
12. On-Off / Volume knob
13. USB socket
14. 3.5 mm aux-in jack
15. 3.5 mm headphone jack
16. MEM/CLK-ADJ button
17. Spindle adaptor
18. Tone Arm Lifting Selector
19. Turntable speed selector
20. Auto stop switch
21. Pick-up holder
22. Tone Arm
23. Line out socket
24. AC line cord



### **Caution:**

Usage of controls or adjustments or performance of procedures other than those specified herein may result in hazardous radiation exposure.

This unit should not be adjusted or repaired by anyone except qualified service personnel.

### **Installation**

- Unpack all parts and remove protective material.
- Do not connect the unit to the mains before checking the main voltage and before all other connections have been made.
- Do not cover any vents and make sure that there is a space of several centimeters around the unit for ventilation.

### **Connection**

1. Connect the power cord (24) to AC outlet
2. When you first plug the unit into the mains, the LCD display (7) will show " 0 : 00 ".
3. Turn on the unit by "ON/OFF/Volume" knob (12), if the LCD display (7) is on with backlighting, it means the power supply is normal. Now your system is ready to play the music.

## SETTING THE CLOCK

1. Set unit in standby mode.
  2. Press the “MEM/CLK-ADJ” button (16) twice, the display will start flashing. Press “Skip/Tuning” ◀◀ or ▶▶ button (5/10) to select the appropriate area hour format(12hr/24hr)
  3. Press “MEM/CLK-ADJ” button (16) again, the first second digit of “0” is flashing. Press ◀◀ or ▶▶ button (5/10) to set the correct hour. Press ”MEM/CLK-ADJ” button (16) to store the correct hour.
  4. The third fourth digit of “00” is flashing, press the ◀◀ or ▶▶ button (5/10) to set the correct minutes. Then press “MEM/CLK-ADJ” (16) to store the correct minute.
- **The pre-set time will be re-set completely if disconnecting the main power supply. You are recommended to switch the system into standby mode for convenience usage.**

## LISTENING TO RADIO

### Manual tuning

1. Turn on the unit by press “ON/OFF” button (12) and turn “Function” button (4) to select “Tuner ” mode.
2. Tune to the required station by pressing the “Skip/Tuning” ◀◀ or ▶▶ button (5/10).
3. Adjust volume knob (12) to the desired volume level.

### Auto tuning

1. Turn “Function” button (4) to select “ Tuner ” mode.
2. Press and hold the “Skip/Tuning” ◀◀ or ▶▶ button (5/10) for 1-2 seconds and then release.
3. The unit will start seeking automatically and stop until a radio station is reached.
4. Repeat step 2 until the desired radio station is being reached.
5. Adjust volume knob (12) to the desired volume level.

### Preset stations

You can store up to 20 radio stations in the memory.

1. Set to tuner mode.
2. Tune to the desired radio station by “ manual” or “ auto ” tuning method.
3. Press and hold “MEM/CLK-ADJ” button (16) to enable program state & “ Mem ” indicator preset station number is flashing on LCD (7)
4. Press the “FOLDER/PRE” button (11) to select the desired station memory for storage.
5. Press “MEM/CLK-ADJ” button (16) again to confirm the setting.
6. Repeat step 2 to 5 to store other stations.
7. To return normal tuner mode, leave keys free.

Press the “FOLDER/PRE” button (11) once by once to recall the preset memory.

- **The pre-set memories will be cancelled completely if disconnecting the main power supply. You are recommended to switch the system into standby mode for convenience usage.**
- There are 10 seconds for program state, after 10 sec. This state would resume to normal tuner mode automatically.
- You can overwrite a present station by storing another frequency in its place.

### **FM & FM-stereo reception**

- Press the “Mono/St” button (9) repeatedly, the FM programs are receiving in mono and stereo mode repeatedly. In particular when stereo signals are weak. It is preferable to receive the program in mono.
- If stereo signal is being received, the stereo indicator “**(ST)**” will appear on LCD (7) to show FM stereo program is now receiving.

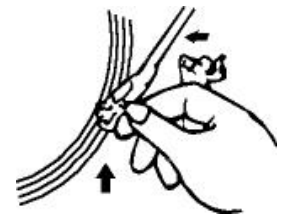
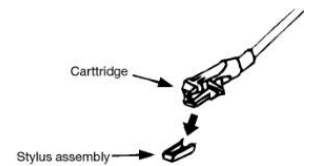
### **Hints for best reception:-**

FM : the receiver has a build-in FM wire antenna hanging at the rear cabinet. This wire should be totally unraveled and extended for the best reception.

## LISTEN TO THE PHONO

### **Note:**

- Remove the stylus protector.
  - Be sure that the tone arm is being detached from the tone arm rest before operating and re-secured again afterwards.
1. Turn “Function” button (4) to select “ Phono ” mode.
  2. Set the speed selector (19) to the proper position depending on the record to be played.
  3. Place the record on the platter (use the spindle adaptor (17) if required).
  4. Lift the tone arm from the rest and slowly move it to the record side. The platter will start to rotate.
  5. Place the tone arm by the pick up holder (21) to the desired position of the record.
  6. Adjust the volume (12) to the desired level.
  7. At the end of record, the platter will automatically stop rotating. Lift the tone arm from the record and return it to the rest.
  8. To stop manually, lift the tone arm from the record and return it to the rest.



**Remark :** As some kind of record the auto-stop area was out of the unit setting, so it will stop before the last track finish. In this case, select the auto-stop switch (20) to “ off “ position, then it will run to the end of the record but will not stop automatically (turn off the unit by power/volume knob(16)or switch back the auto-stop switch to “ on “ position to stop the platter rotate). Then put back the tone arm to the rest position.

## AUX-IN CONNECTION

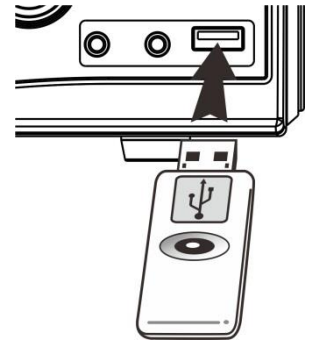
Connect the unit to any auxiliary device (i.e. MP3 player, or iPod® (not included) by connecting the aux in jack (14) with one end of 3.5mm stereo cable(not provided)and the other end connect to the auxiliary device to perform the music.

1. Turn “Function” button (4) to select “ Aux ” mode.
2. Plugged the Aux in jack from your external device.
3. Start to playback your device and adjust On-off/Volume knob (12) to the desire volume level. If the distortion was too high, reduce the volume level of your auxiliary device.

## PLAYBACK OF MP3 SONG VIA USB STORAGE MEDIA

### Connecting

The system is able to decode and playback all MP3 file which stored in the memory media with USB connecting port. Plug in the USB pen driver to the slot.



**Connecting the USB upside down or backwards could damage the audio system or the storage media (USB thumb drive). Check to be sure the direction is correct before connection.**

- 1) Turn “Function” button (4) to select USB.
- 2) Plug-in the USB plug with the face up & make sure it going into completely in the direction of the arrow as shown in the label on the underside of the memory card slot cover. Insert straight without bend
- 3) After connecting the system will start reading the storage media and start playback automatically. Press “ Stop ■ ” button (2) the display will show the total number of MP3 files and total number of folder of the USB device.

**Remark: USB port does not support connection with USB extension cable and is not designed for communication with computer directly.  
The maximum handling capacity of the USB stick is up to 32 GB.**

#### ● Pause / Play mode

To interrupt, press the “Play/Pause” button (9) once, the playing time will be freeze & flashing on the LCD display (7). Press again to resume normal playback.

#### ● STOP MODE ■

If “ Stop ■ ” button (2) is pressed during play or pause mode, system will go to stop mode

#### ● Skip/search mode (skip/search up ►►/skip/search down ◄◄)

1. During play or pause mode, if “Skip up ►►” button (10) is pressed. It will go to next track and display the track no. and then remain in play or pause mode.
2. After step 2, press “skip down ◄◄” button (5) again will go to the previous track and remain in play or pause mode.
3. If press and hold the “ Skip up ►► / down ◄◄ ” button “ (5/10) during MP3 playback, the playing track will go fast forward or backward until the button being released.

#### ● Folder control

1. Press “ FOLDER/PRE ▲ ” button (11), the folder no. will goes up
2. Press “ Skip up ” ►► or “Skip down” ◄◄ (5/10) button, the track no. change.
3. When the desired track is being selected, press the “ Play/Pause ►|| ” button (9) to start playback.
4. You can also control the folders by “FOLDER ▲/▼” button (4) on remote control.

### Remark

- The system can detect and read the file under MP3 and format only though the USB port
- **If connect the system to MP3 player via the USB socket, due to variances in MP3 encoding format, some MP3 player may not be able to play via the USB socket. This is not a malfunction of the system.**

**ID3 (track/album title) function (by remote handset)**

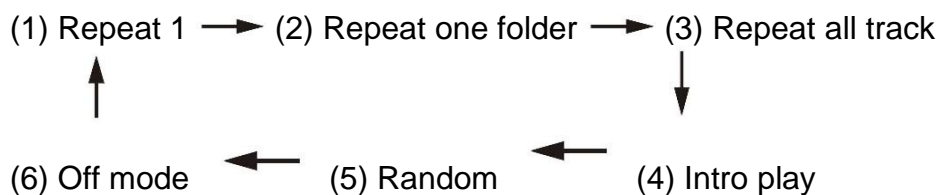
1. Press the “ INFO “ button (12) during playback of MP3 file, the song title is being displayed. Press the “ INFO ” button (12) again to disable the function.

**MP3 track format requirement:-**

- MP3 bit rate : 32 kbps~256 kbps
- The performance of playing MP3 file is various from the quality of encoding file and the method of encoding.

**Repeat/Intro/Random mode (on remote control)**

Press the “Repeat/Intro/Random” (5) button before or during playback, a single track, single folder or all the tracks can be played in difference mode as follow:-



Play mode	Indicator on LCD display
Repeat single track	
Repeat single folder	
Repeat all tracks	MEM/CLK-ADJ
Intro play mode	Intro
Random mode	Random
Off mode	-----

**Repeat play**

You can listen the desired tracks or folder or all track repeatedly by this function.

**Intro play**

You can listen the beginning (10 seconds) of each track by this function & saving your time to search the desire song

**Random play**

You can listen all the tracks or folder in a random order by this function

**Tracks programming**

Up to 20 tracks can be programmed for MP3 file and play in any order. Before use, be sure the system is at stop mode before programming:-

1. Set in USB mode & set at stop mode.
  2. Press the “MEM/CLK-ADJ” button (16), “ MEMORY “ will appear on LCD display (7). Moreover, it will indicate program no. and digits for track no. To be programmed.
  3. Select a desired track by pressing “Skip” up or down buttons (5/10).
  4. Press the “MEM/CLK-ADJ” button (16) to store the trace into memory.
  5. Repeat steps 3 and 4 to enter additional tracks into the memory if necessary.
  6. When all the desired tracks have been programmed, press “Play/Pause” button (9) to play the disc in assigned order.
  7. Press “Stop” button (2) to stop program playback
- Press “ Stop” button (2) at stop mode to cancel all tracks being programmed.



## ENCODING FROM PHONO/RADIO OR AUX IN INTO MP3 FILE

The system is able to encode the Phono/Radio or Aux in to MP3 format and recording at memory media with USB connecting port.

### **A) Phono encoding**

- 1) Turn "Function" button (4) to select " Phono " mode and then press the " Record ● " button (6) directly.
- 2) The LCD display (7) will show the word " **USB** " and " **REC** " & flashing, now the system is starting the encoding mode.
- 3) Start playback at Phono for the track which you want to record.
- 4) To stop the recording, press the " Record ● " button (6) the LCD stop flashing and return to " Phono " mode.

### **B) Radio encoding**

- 1) Turn "Function" button (4) to select " Tuner " mode and tune to the desired radio station by " manual " or " auto " tuning method, and then press the " Record ● " button (6) directly.
- 2) The LCD display (7) will show the word " **USB** " and " **REC** " & flashing, now the system is starting the encoding mode.
- 3) To stop the recording, press the "Record ● " button (6) the LCD (7) stop flashing and return to " Tuner " mode.

#### **Remark:-**

- The recording speed is 1:1 and according to the actual playing time.
- The system will create a "audio " folder and then store the encoding track in it.
- The recording format is default at – MP3 bit rate : 128 kbps, sampling rate : 44.1kHz
- No song title will be recorded during encoding mode
- To interrupt the recording, press the "Record " button (6) again during record mode.

### **C) Track separation (by remote handset)**

You can divide the recording music from phono or tape to USB track by track during encoding. Every time when press the " **TS** " (track separation) button (7) once at remote handset during encoding from tape/phono to USB, the system will generate a new track and continue the recording. The current text at LCD display will show 'TS' one time, it means the unit is creating a new track successfully but track separation feature was not available at Tuner mode.

### **D) Encoding bit rate (by remote handset)**

You can select the desired bit rate during encoding from phono to USB, the selectable range from 32 / 64 /96 /128 / 192 / 256 kbps.

- 1) Select Phono mode & remain stop mode.
- 2) Press the " INFO/DELETE " button (12) on remote handset and the LCD display (7) will show the default bit rate (128 kbps)
- 3) Press Folder ▲ or ▼ button (4) on remote control to select the desired bit rate for encoding.
- 4) Press again the " INFO/DELETE " button (12) to confirm the setting and the LCD display (7) resume to Phono mode

## **FILE DELETE AT USB (BY REMOTE CONTROL)**

The system is able to erase the file stored inside the USB pen drive by following:-

### **All files delete**

1. Set USB on stop mode, press and hold the “INFO/DELETE “ button (12) for 3 seconds and the LCD display (7) will show (DEL ALLN)
2. Press skip ►► or skip ◄◄ (5/10) button to select “ Yes “ or “ No “.
3. Press the “INFO/DELETE“ (12) button again to confirm the setting.

**Remark :** All the files inside the MP3 track USB storage media will be deleted completely after confirming to “ yes “ mode.

### **Removing of USB**

To remove the USB, turn off the power or switch the function mode to either tuner or phono first. For USB port – un-plug it by pulling out the USB socket directly.

## **MORE FEATURES**

### **A. Sleep setting (by remote control)**

1. Press “SLEEP/TIMER” (14) button and sleep indicator shown on the LCD (7).
2. Keep pressing the “SLEEP/TIMER” button (14) to adjust the sleep timer in the order of 90 > 80 >70....10 minutes.
3. System will stop and go to standby mode automatically after the selected timing.
4. To cancel the sleep mode, press “SLEEP/TIMER” button (14) until it reach “Off” mode.

#### **Remark:-**

If press the sleep button once and the “ Sleep “ indicator appear on the LCD (7), the system will go to standby mode automatically after selected minutes.

### **B. Alarm clock setting (by remote control)**

This function allows the system to turn on automatically and wake you up by soft music or radio.

First, set the unit at standby mode then press and hold the “SLEEP/TIMER” button (14) to enter the timer program mode until the “ On time “ is flashing on LCD display, then you can start the alarm setting:

- 1) **On time setting :** Press the “SLEEP/TIMER“ button again (hour digit will flash) and “Skip” ►► or ◄◄ button to set the hour. Then press again “SLEEP/TIMER” to enter the minute, then press “SLEEP/TIMER” and “Skip” ►► or ◄◄ button to set the minute, press “SLEEP/TIMER” button enter the wake up setting mode
- 2) **Wake up mode :** Press “ FUNC ” button(1) to set the wake up mode (USB / Tuner). Then press “ SLEEP/TIMER” button to enter the volume mode.
- 3) **Volume level :** Press and “Skip” ►► or ◄◄ button to set the volume level, then press “SLEEP/TIMER” button again to enter the off time mode setting.
- 4) **Off time setting :** Press the “SLEEP/TIMER “ button and then press “Skip” ►► or ◄◄ button to set the off time. Then press “ SEEP/TIMER “ button again to complete the setting.

#### ● **Active/de-active timer function**

1. To cancel alarm function by press again “SLEEP/TIMER” button until the timer indicator “ ⌚ ” disappear.
2. To re-active the timer function, repeat the alarm clock setting procedure.

### **C. EQ function (by remote handset)**

This unit provides 4 differences sound mode to enhance your listening experience. You can select the desired effect by pressing the “ PRESET EQ ” button (15) repeatedly at following sequence:-



### **D. Display function (by remote handset)**

Press “DISPLAY” button (6) to indicate various information of system, each step switch as below:-



### **E. Phones:**

To listen to music privately, use headphones with a 3.5 stereo jack plug and connect it to the headphones socket (15). The speakers will then be muted.

**Attention:** To prevent possible hearing damage, do not listen at high volume levels for long periods.

### **F. Line Out Connection:**

You can connect the system to your whole Hi-Fi system by connecting the Line out sockets (23) to the auxiliary input socket with a RCA cable (not included).

**Remark (for Europe market only) :** Due to ErP stage two requirement and protect the environment. The unit will switch to standby mode automatically once no any music playing over 15 minutes.

## TECHNICAL SPECIFICATIONS

Power Supply:	AC 230V ~ 50Hz
Power Consumption:	13 W
Output Power:	2 x 1.5W RMS
Frequency Range: FM:	87.5 – 108 MHz

## IMPORTER

Wörlein GmbH	Tel.:	+49 9103 71 67 0
Gewerbestr. 12	Fax.:	+49 9103 71 67 12
D 90556 Cadolzburg	Email:	<a href="mailto:service@woerlein.com">service@woerlein.com</a>
Germany	Web:	<a href="http://www.woerlein.com">www.woerlein.com</a>

Technische Änderungen und Druckfehler vorbehalten

Copyright by Woerlein GmbH, 90556 Cadolzburg, [www.woerlein.com](http://www.woerlein.com)

Vervielfältigung nur mit ausdrücklicher Genehmigung der Woerlein GmbH

