

## ENVIRONMENTAL PROTECTION



Do not dispose of this product with the normal household waste at the end of its life cycle. Return it to a collection point for the recycling of electrical and electronic devices. This is indicated by the symbol on the product, user manual or packaging.

The materials are reusable according to their markings. By reusing, recycling or other forms of utilization of old devices you make an important contribution to the protection of our environment.

Please contact your local authorities for details about collection points.

	<b>WARNING</b> Risk of electric shock Do not open!	
<b>Caution: To reduce the risk of electric shock, do not remove the cover (or back). There are no user serviceable parts inside. Refer servicing to qualified service personnel.</b>		



This symbol indicates the presence of dangerous voltage inside the enclosure, sufficient enough to cause electric shock.



This symbol indicates the presence of important operating and maintenance instructions for the device.

### **Safety, Environmental and Setup Instructions**

- Use the device in dry indoor environments only.
- Protect the device from humidity.
- Do not open the device. **RISK OF ELECTRIC SHOCK!** Refer opening and servicing to qualified personnel.
- Connect this device to a properly installed and earthed wall outlet only. Make sure the mains voltage corresponds with the specifications on the rating plate.
- Make sure the mains cable stays dry during operation. Do not pinch or damage the mains cable in any way.
- A damaged mains cable or plug must immediately be replaced by an authorized service center.
- In case of lightning, immediately disconnect the device from the mains supply.
- Children should be supervised by parents when using the device.
- Clean the device with a dry cloth only.  
Do NOT use CLEANING AGENTS or ABRASIVE CLOTHS!
- Do not expose the device to direct sunlight or other heat sources.
- Install the device at a location with sufficient ventilation in order to prevent heat accumulation.
- Do not cover the ventilation openings!
- Install the device at a safe and vibration-free location.
- Install the device as far away as possible from computers and microwave units; otherwise radio reception may be disturbed.
- Do not open or repair the enclosure. It is not safe to do so and will void your warranty. Repairs only by authorized service/ customer center.
- Only use mercury and cadmium-free batteries.
- Used batteries are hazardous waste and NOT to be disposed of with the household waste!!!  
Return the batteries to your dealer or to collection points in your community.
- Keep batteries away from children. Children might swallow batteries.  
Contact a physician immediately if a battery was swallowed.
- Check your batteries regularly to avoid battery leakage.
- Batteries shall not be exposed to excessive heat such as sunshine, fire or the like.
- CAUTION: Danger of explosion if battery is incorrectly replaced  
Replace only with the same or equivalent type



Used batteries are hazardous waste and NOT to be disposed of with the household waste! As a consumer you are legally obligated to return all batteries for environmentally responsible recycling - no matter whether or not the batteries contain harmful substances \*).

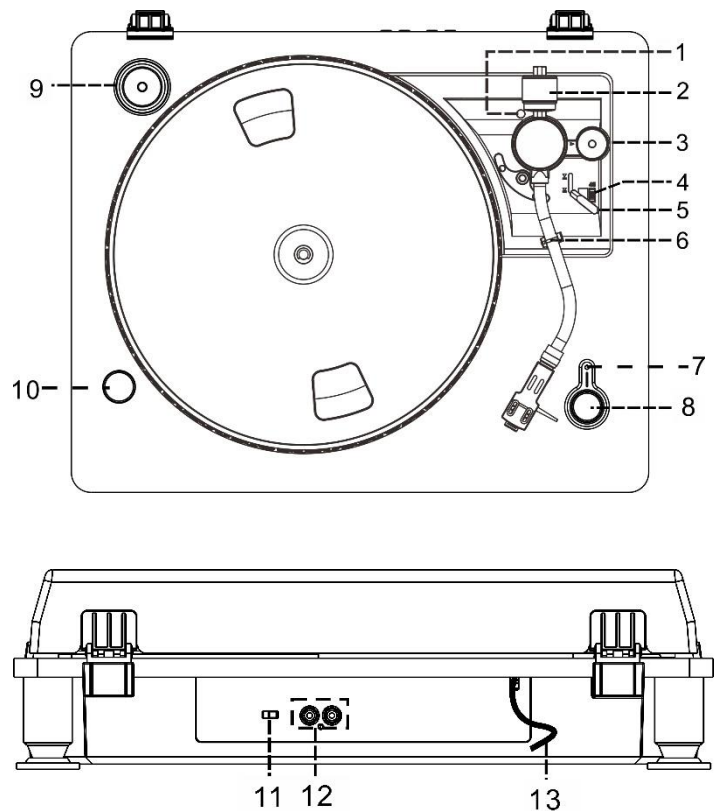
Return batteries free of charge to public collection points in your community or to shops selling batteries of the respective kind.

Only return fully discharged batteries.

\*) marked Cd = cadmium, Hg = mercury, Pb = lead

**LOCATIONS OF CONTROLS**

- 1) Alignment screw with rubber cover
- 2) Counter weight
- 3) Pitch adjust
- 4) Turntable speed selector
- 5) Cueing lever
- 6) Tone-arm lock
- 7) Power LED indicator
- 8) Power switch
- 9) Spindle adaptor
- 10) Strobe illuminator
- 11) Line out/Phono output selection switch
- 12) Line out socket (L/R)
- 13) AC power cord



**Caution:**

Usage of controls or adjustments or performance of procedures other than those specified herein may result in hazardous situations.

This unit should not be adjusted or repaired by anyone except qualified service personnel.

**CONNECT TO POWER**

**Precautions for use**

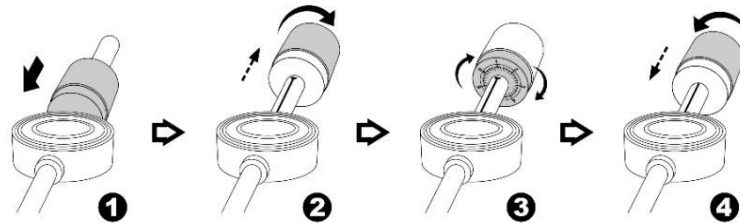
- Unpack all parts and remove protective material.
- Do not connect the unit to the mains before checking the mains voltage and before all other connections have been made.
- Do not cover any vents and make sure that there is a space of several centimeters around the unit for ventilation.

**• LINE OUT CONNECTION & LINE OUT/PHONO SWITCH**

- You can connect the system to your own hi-fi system by connecting the line out socket (12) to the auxiliary input socket with a RCA cable.
  - a. If set the Line out/Phono switch (11) at “Line out“ position, the output signal will pass through the system built-in pre-amplifier circuit.
  - b. If set the switch (11) at “Phono “. The output signal will come without amplified directly from the cartridge.

## INSTALLATION OF COUNTER WEIGHT

- 1 Slide in the counter weight (2) completely into the rear of the tone arm until it reach the end, turn it clockwise until it click with pit inside.
- 2 Twist the counter weight clockwise & backward until it reach the white line as figure 2
- 3 Twist the counter marking until it reach " 0 " position
- 4 Twist the counter weight anti-clockwise & inward until it reach the appropriate working pressure.



Remark : the working pressure of the provided stylus is from the range **4 – 6 grams**. According to the cartridge manufacturer. All stylus has it own working pressure and please refer to the specification respectively.

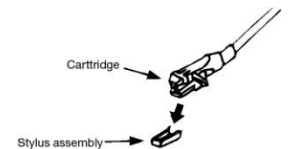
### Switching On

1. Connect the power cord (13) to an AC outlet.
2. Turn on the unit by press the power switch (8), the power LED indicator (7) will light up. Your system is now ready to play your music. Please refer to the Operations section of this Manual for details.

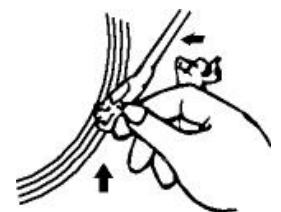
## PHONO OPERATIONS

### Please Note - Before Use

- Remove the stylus protector.
- Make sure that the tone arm is unlocked and free to move from the tone arm rest prior to operating. Lock the tone arm again when not in use.



1. Raise the turntable dust cover.
2. Place the record on the platter (use the 45 RPM record adaptor if you are playing 45 RPM records).
3. Set the speed selector (4) to the proper position for the record you are playing.
4. Set the cueing lever (5) to the up position.
5. Lift the tone arm from the rest and slowly move it to the record side. The platter will start to rotate and position the tone arm over the desired position of the record.
6. Pull down the cueing lever (5). The tone arm will come slowly on the record and start playback.
7. At the end of the record, the tone arm will return to the rest position automatically.
8. To stop manually, lift the tone arm from the record and return to the rest.



### **Play suspension**

Set the cueing lever (5) to the up position will lift up the tone arm and then stop playback temporarily

#### **Remark:**

- Due to the auto return system was mechanical design and reset point will be affected after transportation. Thus, the tone arm will return to the rest automatically when first time place it to the platter and it was not the malfunction.
- Due to the length of the record is various, if you find the tone arm cannot return automatically after playback of record. Please adjust the Tone arm stopping position as below.
- This turntable system is using a magnetic cartridge system and user must replace the same type of cartridge to avoid malfunction of the unit.

### **Speed alignment using the Pitch adjustment**

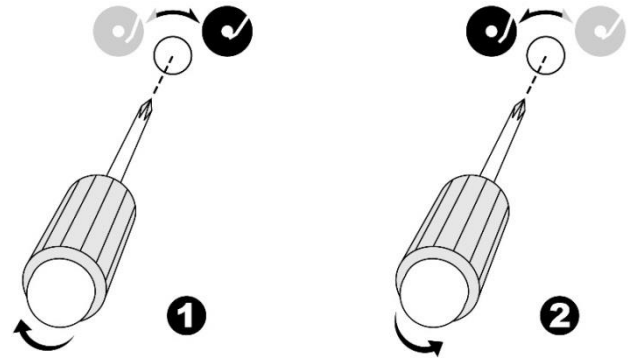
The pitch adjust control (3) is made adjust the turntable speed lightly. To check if the speed of a record that is playing is correct, and if it needs to be adjusted, do the following:

- During playback of for instance a 45rpm record, look at the appropriate strip of strobe calibration dots on the edge of the turntable platter, illuminated by the Strobe Illuminator (10).
  - The upper one is for  $33\frac{1}{3}$  rpm - the middle one for 45 rpm.
- If the strobe dots appear to be flowing to the right, it means the platter is revolving slower than the rated speed. Slowly turn the Pitch Control knob (3) in the “+” direction.
- If the strobe dots appear to be flowing to the left, it means the platter is revolving faster than the rated speed. Slowly turn the Pitch Control knob (3) in the “-” direction.
- Make small adjustments with the Pitch Control knob until the strobe dots appear to be stationary without moving left or right.

### Tone arm stopping position alignment

- The position of the tone arm complete playback and return to the rest station can be adjusted at the alignment screw (1) as follow:-

Before starting the alignment, please take out the hole covering rubber:



- If the system cannot complete the playback of record and return earlier, use a cross head screw driver and turning the alignment screw (1) inside the hole clockwise, the stopping and eject position of the tone arm will move more inward to the center of the record for playback completion.
- If the system cannot return to rest position automatically after playback of record use a cross head screw driver and turning the alignment screw (1) inside the hole anti-clockwise, the stopping and eject position of the tone arm will move more away from the center of the record for playback completion.

#### **Remark:**

- The stopping position is very subjective among difference customers, please select the most suitable position based on your own record collection. The ex-factory setting is based on the most common template.
- Please check the stopping position time by time during adjustment and avoid over turning of the screw inside

**Due to ErP stage two requirement and protect the environment, the unit will switch to standby mode automatically when no any music playing over 15 minutes.**

### TECHNICAL SPECIFICATIONS

Power Supply: AC230V~50Hz  
Power consumption: 3W

### IMPORTER

Wörlein GmbH  
Gewerbestr. 12  
D 90556 Cadolzburg  
Germany

Tel.: +49 9103 71 67 0  
Fax.: +49 9103 71 67 12  
Email: [service@woerlein.com](mailto:service@woerlein.com)  
Web: [www.woerlein.com](http://www.woerlein.com)



Technische Änderungen und Druckfehler vorbehalten  
Copyright by Woerlein GmbH, 90556 Cadolzburg, [www.woerlein.com](http://www.woerlein.com)  
Vervielfältigung nur mit ausdrücklicher Genehmigung der Woerlein GmbH