

## ENVIRONMENTAL PROTECTION



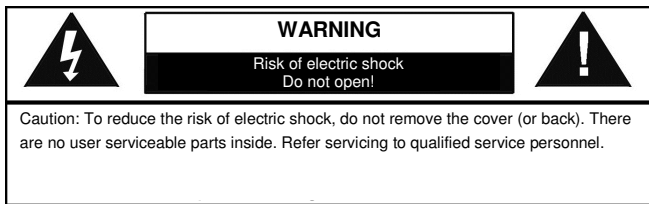
Do not dispose of this product with the normal household waste at the end of its life cycle. Return it to a collection point for the recycling of electrical and electronic devices. This is indicated by the symbol on the product, user manual or packaging.

The materials are reusable according to their markings. By reusing, recycling or other forms of utilization of old devices you make an important contribution to the protection of our environment.

Please contact your local authorities for details about collection points.



**CAUTION - INVISIBLE LASER RADIATION WHEN OPENING THE COVER OR PRESSING THE SAFETY INTERLOCK. AVOID EXPOSURE TO THE LASER BEAM.**



This symbol indicates the presence of dangerous voltage inside the enclosure, sufficient enough to cause electric shock.



This symbol indicates the presence of important operating and maintenance instructions for the device.

### **Safety, Environmental and Setup Instructions**

- Use the device in dry indoor environments only.
- Protect the device from humidity.
- Do not open the device. **RISK OF ELECTRIC SHOCK!** Refer opening and servicing to qualified personnel.
- Connect this device to a properly installed and earthed wall outlet only. Make sure the mains voltage corresponds with the specifications on the rating plate.
- Make sure the mains cable stays dry during operation. Do not pinch or damage the mains cable in any way.
- Disconnect device warning: Main plug is used as the connection, so it should always remain ready operate.
- The mains plug is used as the disconnect device, the disconnect device shall remain readily operable.
- A damaged mains cable or plug must immediately be replaced by an authorized service center.
- In case of lightning, immediately disconnect the device from the mains supply.
- Children should be supervised by parents when using the device.
- Clean the device with a dry cloth only.  
Do NOT use CLEANING AGENTS or ABRASIVE CLOTHS!
- Do not expose the device to direct sunlight or other heat sources.
- Install the device at a location with sufficient ventilation in order to prevent heat accumulation.
- Do not cover the ventilation openings!
- The ventilation should not be impeded by covering the ventilation openings with items, such as newspaper, table-cloths, curtains, etc.
- It shall be not be exposed to dripping or splashing and that no objects filled with liquids, such as vases, shall be placed on the apparatus.
- The unit should not be exposed to direct sunlight, very high or low temperature, moisture, vibrations or placed in dusty environment.
- Never attempt to insert wires, pins or other such objects into the vents or opening of the unit.
- Install the device at a safe and vibration-free location.
- No naked flame sources, such as lighted candles, should be placed on the apparatus.
- Install the device as far away as possible from computers and microwave units; otherwise radio reception may be disturbed.
- Do not open or repair the enclosure. It is not safe to do so and will void your warranty. Repairs only by authorized service/ customer center.
- The device is equipped with a "Class 1 Laser". Avoid exposure to the laser beam as this could cause eye injuries.
- Only use mercury and cadmium-free batteries.
- Batteries shall not be exposed to excessive heat such as sunshine, fire or the like.
- Used batteries are hazardous waste and NOT to be disposed of with the household waste!!! Return the batteries to your dealer or to collection points in your community.
- Keep batteries away from children. Children might swallow batteries. Contact a physician immediately if a battery was swallowed.
- Check your batteries regularly to avoid battery leakage.



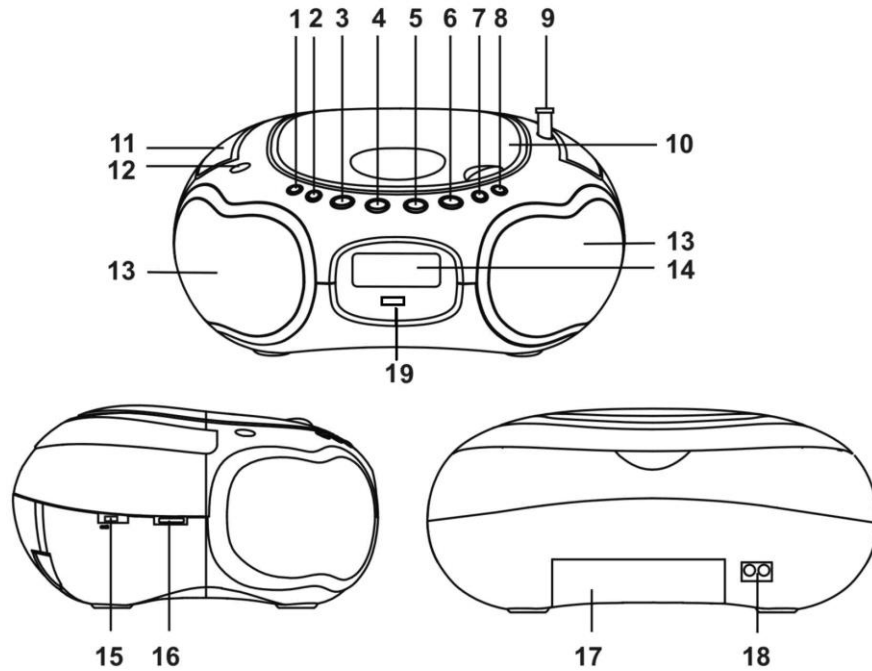
**Used batteries are hazardous waste and NOT to be disposed of with the household waste!** As a consumer you are **legally obligated** to return **all batteries** for environmentally responsible recycling – no matter whether or not the batteries contain harmful substances\*).

**Return batteries free of charge to public collection points in your community or to shops selling batteries of the respective kind.**

**Only return fully discharged batteries.**

\*) marked Cd = cadmium, Hg = mercury, Pb = lead

## LOCATION OF CONTROLS



- |    |                             |    |                     |
|----|-----------------------------|----|---------------------|
| 1  | MODE/DAB+/FM/CD/USB button  | 11 | Carry handle        |
| 2  | PRESET/PROG/10+ button      | 12 | AUX-IN jack         |
| 3  | MENU/FOLDER DOWN button     | 13 | Speaker             |
| 4  | ENTER/FOLDER UP button      | 14 | LCD display         |
| 5  | PLAY/PAUSE/FULL SCAN button | 15 | FUNCTION switch     |
| 6  | STOP/INFO button            | 16 | VOLUME control      |
| 7  | SKIP - / TUNE < button      | 17 | BATTERY COMPARTMENT |
| 8  | SKIP +/ TUNE > button       | 18 | AC socket           |
| 9  | Rod antenna                 | 19 | USB Slot            |
| 10 | CD Compartment              |    |                     |

## AC OPERATION

Before operation, please make sure that the VOLTAGE mentioned on the unit is same as the voltage of your local area. Unravel the AC power cord, insert one end into the AC socket on the set and the other end into a standard AC outlet..

## ATTENTION

1. Do not plug or unplug the power cable while you have wet hands;
2. If you plan not to use the unit for a long time, disconnect the power cable from the wall outlet;
3. When disconnecting the power cord from the wall outlet, do not pull on the cord in order to avoid shock risks caused by damaged cable.

## BATTERY OPERATION

Disconnect the AC Cord Set completely. Open the Battery Compartment Door and insert 8 pieces UM-2 "C" size batteries into the battery compartment with battery polarity as shown inside the battery compartment.

## DAB RADIO OPERATION

1. Set the FUNCTION switch to **RADIO** position
2. Press the **DAB+/FM** button to select **DAB** mode.
3. Rotary the VOLUME control to adjust the desired listening level.

## Full Scan

In DAB mode, press the **FULL SCAN** button to perform full scan the available DAB stations. During the scan, the display will show "**Searching...**" together with a slide bar that indicates the progress of the scan and the amount of stations that have been found so far. Once the scan has completed, to explore and listen to the found stations, press the **SKIP+/TUNE>** or **SKIP-/TUNE<** button, then press **ENTER** button to confirm.

## Manual Tune

You can also manually tune the receiver. This can help when aligning your aerial or when adding stations that were missed while auto tuning.

1. In DAB mode, press and hold the **ENTER** button and it will show **MANUAL TUNE**.
2. Press the **SKIP+/TUNE>** or **SKIP-/TUNE<** button to cycle through the DAB channels, which are numbered from 5A to 13F
3. After your desired channel number is reached, press the **ENTER** button to exit the manual tune.

### To Store the DAB Stations in the Memory

1. In DAB mode, select the DAB station
2. Press and hold the **PRESET/PROG** button for about 2 seconds, the display will show the current DAB station and P# (where # is the preset station number) will flash, press the **SKIP+/TUNE>** or **SKIP-/TUNE<** button to select the desired preset station number then press **ENTER** button to confirm storing that station in the memory.

### To Recall the Stored DAB Station

1. In DAB mode, press the **PRESET/PROG** button, the display will show the current DAB station and P# (where # is the current preset station number),
2. Press the **SKIP+/TUNE>** or **SKIP-/TUNE<** button to select the preset station number you want to listen then press **ENTER** button to confirm.

### Prune

You may remove all unavailable stations from the list.

1. In DAB mode, press and hold **INFO** button until the display appear "DAB305 v1.1".
2. Press **INFO** button once again and the display will appear "PRUNE?"
3. Press **ENTER** button to confirm.

### DAB station information

Press the **INFO** button to display the information of the current DAB station in the sequence below  
**Programme Type** ➔ This describes the "style" or "genre" of the programme that is being broadcast.



**Ensemble** ➔ This displays the name of the multiplex that contains the station you are listening to. A multiplex is a collection of radio stations that are bundled and transmitted on one frequency. There are national and local multiplexes. Local ones contain stations that are specific to that area.



**Frequency** ➔ This displays the frequency of the current station.



**Audio Bit Rate** ➔ This displays the digital audio bit rate being received.



**Signal Strength** ➔ This shows a slide bar to indicate the signal strength, the stronger the signal, the longer the bar will be from left to right.



**Date and Time** ➔ This displays the current date and time.



**Scrolling Text** ➔ This is a scrolling message giving realtime information, e.g. song titles, news headlines, etc.

### FM RADIO OPERATION

1. Set the FUNCTION switch to **RADIO** position.
2. Press the **DAB+/FM** button to select **FM** mode.
3. Rotate the VOLUME switch to adjust the desired listening level.

**Note** : For best reception, fully extent the FM telescopic antenna to receive FM station.

### To Select the FM Station

#### **Auto Scan**

1. In FM mode, press the **FULL SCAN** button to start searching the forward available FM station. Press and hold the **FULL SCAN** button for 1 second to start searching the backward available FM station
2. The search operation simply finds stations with strong signals. Stations with weak signal can only be tuned in manually.

#### **Manual tune**

Press the **SKIP+/TUNE>** or **SKIP-/TUNE<** button, the unit will skip 0.05 MHz in the direction of skip.

### To Store the FM Stations in the Memory

1. In FM mode, select the FM station
2. Press and hold the **PRESET/PROG** button for about 1 second, the display will show the current FM station and P# (where # is the preset station number) will flash
3. Press the **SKIP+/TUNE>** or **SKIP-/TUNE<** button to select the desired preset station number then press **ENTER** button to confirm,

### To Recall the Stored FM Station

1. In FM mode, press the **PRESET/PROG** button, the display will show the current FM station and P# (where # is the current preset station number)
2. Press the **SKIP+/TUNE>** or **SKIP-/TUNE<** button to select the preset station number you want to listen then press **ENTER** button to confirm.

### FM MONO/ AUTO Mode

In FM mode, press the **ENTER** button to select the MONO mode or AUTO mode.

### **FM Station Information**

Press **INFO** button to display the information of the current FM station in the sequence below :

**Signal Strength** ➔ This shows a slide bar to indicate the signal strength, the stronger the signal, the longer the bar will be from left to right.



**Date and Time** ➔ This displays the current date and time.



**Frequency** ➔ This displays the frequency of the current station.



**Audio Type** ➔ This displays if the audio being received is in mono or stereo mode.



**Scrolling Text** ➔ This is a scrolling message giving real-time information, e.g. song titles, news headlines, etc.



**Programme Type** ➔ This describes the “style” or “genre” of the programme that is being broadcast.

### **CD/MP3 Disc OPERATION**

1. Set the **FUNCTION** switch to **CD/USB** position.
2. Insert a CD/MP3 disc in the CD compartment and close the CD door, the unit will start reading the disc.
3. Press the **PLAY/PAUSE** button to start playing the disc.
4. During playing, press the **PLAY/PAUSE** button to temporarily pause playing. To resume, press the **PLAY/PAUSE** button again.
5. If your MP3 disc has folders, you can use the **FOLDER UP/FOLDER DOWN** button to select the desired folder.

### **USB OPERATION**

1. Set the **FUNCTION** switch to **CD/USB** position.
2. Hold the **USB** button for 2 seconds to enter USB Mode.
3. Plug your USB device into the USB port on the unit, the unit will start reading the files in the USB device.
4. Press the **PLAY/PAUSE** button to start playing the disc.
5. During playing, press the **PLAY/PAUSE** button to temporarily pause playing. To resume, press the **PLAY/PAUSE** button again.
6. If your USB has folders, you can use the **FOLDER UP/FOLDER DOWN** button to select the desired folder.

### **Programming**

The programming should be done during **STOP** mode

1. Press the **PROG** button, the display will show ‘**PROG01**’.
2. Use the **SKIP>** or **SKIP<** button to select the desired track.
3. Press the **PROG** button again to store the selected track in the memory, the LCD display will show ‘**PROG02**’ and flash continuously.
4. Repeat steps 2 to 3 to store more tracks in the memory. You can store up to 20 tracks in the memory for CD disc. You can store up to 99 tracks in the memory for MP3 files.
5. Press the **PLAY/PAUSE** button to start playing the disc in the programmed order.
6. To stop playing, press the **STOP** button.
7. To cancel the programming list, press the **STOP** button and open the CD compartment door or set the **FUNCTION** switch to other position.

### **Repeat Play Mode**

Press the **MODE** button to select repeat play mode with the following sequence.

#### **REP1 ➔ REPA ➔ RAND ➔ Normal**

- **REP1** – repeat the track being played.
- **REPA** – repeat ALL the tracks in the storage media.
- **RAND** – play the tracks in random order selected by the player..
- **Normal** – play the tracks in sequence.

### **Skip Mode**

1. During play mode, press the **SKIP+/TUNE>** button to go to the next track.
2. During play mode, press the **SKIP-/TUNE<** button to go back to the previous track.
3. During Play mode, press the **10+** button to skip 10 tracks.

### **Turn Off CD/USB Operation**

To turn off the CD/USB operation, set the **FUNCTION** switch to other position.

### **System Reset**

There may be times when you need to reset your unit back to the factory settings especially when you have moved house. If you experience reception problems you may want to reset and try again. If you move to another part of the country and pick up the local and national DAB stations in that area, your previously tuned channels may no longer be available.

1. In DAB mode, press and hold **MODE** button until the display shows “**Press ENTER key to Reset**”.
2. Press the **ENTER** button to start reset. The display will show “**OK**”, then it will automatically enter DAB mode and perform auto scan.

**Note** : After the system reset, all the previous stored DAB+ or FM stations will be erased from the memory.

### **AUX IN CONNECTION**


1. Set the FUNCTION switch to **AUX** position.
2. Insert one side of the audio cable (requires 3.5mm stereo plug, not supplied) into the line-out jack or phones jack on your audio device and the other side to the aux-in jack on the unit.
3. Turn on your audio device and follow the playback instruction.
4. To stop this function, set the FUNCTION switch to **OFF** position..

### **Important Note**

#### **Automatic standby switching**

To comply with the ERP2 directive, when the unit receives no signal after approximate 10 minutes, the unit will automatically switch to STANDBY mode. To switch the unit on again, set the FUNCTION switch to OFF position then switch to the desired function position..

### **Specifications**

Frequency Range:	DAB+/DAB 174 – 240 MHz FM 87.5 - 108 MHz
Power Supply:	AC 230V ~ 50Hz DC 12V  (UM-2 x 8)

Specifications are subject to change without further notice.