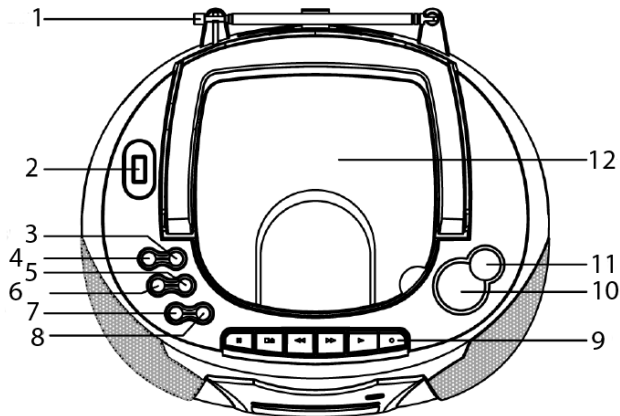
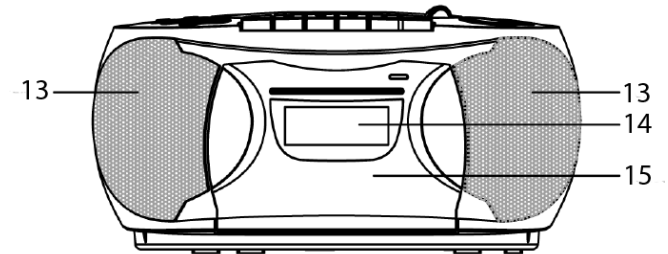


LOCATIONS OF CONTROLS

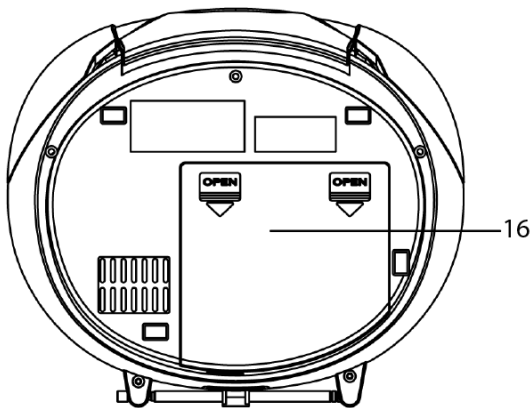
Top View



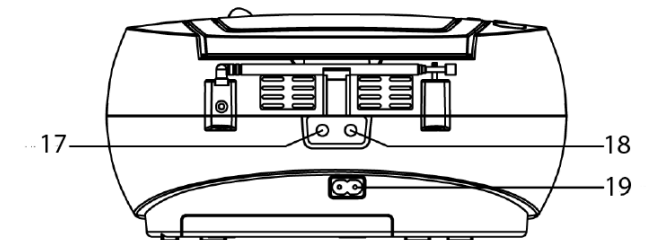
Front View



Bottom View



Backside View



- | | | |
|--------------------------|--------------------------|--------------------|
| 1. FM ANTENNA | 8. STOP ■ / MEMO / SLEEP | 15. CASSETTE DOOR |
| 2. USB PORT | 9. CASSETTE KEYS | 16. BATTERY DOOR |
| 3. SKIP+ ►► | 10. VOLUME +/- | 17. MICROPHONE |
| 4. SKIP- ◄◄ | 11. STANDBY / FUNCTION | 18. HEADPHONE JACK |
| 5. M+ / EQ / ALBUM+ | 12. CD DOOR | 19. AC SOCKET |
| 6. M- / MODE | 13. SPEAKER | |
| 7. PLAY PAUSE ► / SCAN | 14. LCD DISPLAY | |

INSTALLATION

- Select a suitable location for the device, such as a dry, flat, non-slip surface on which it is easy to operate the machine.
- Ensure that the device is sufficiently ventilated.
- Remove the protective film from the display if it is still present.

Power Supply

- Ensure that the voltage is the same as that indicated on the model identification plate.
- Connect the power cable supplied (see battery compartment if necessary) to a properly installed safety power socket and the mains connector AC on the back of the machine.

Inserting the Batteries (not supplied)

1. Open the lid of the battery compartment.
2. Insert 6 batteries of type UM-2 ("C" size) 1.5 V. Please ensure that the polarity is correct (see the floor of the battery compartment)
3. Then close the battery lid.

NOTE:

When a mains cable is connected the batteries are automatically switched off.

CAUTION:

- Batteries can leak and lose battery acid. When not using the system for a long period of time, remove the batteries.
- Different battery types or new and used batteries must not be used together.
- Do not dispose of batteries with household waste. Return old batteries to the respective collection facilities or your dealer.

WARNING:

The batteries shall not be exposed to excessive heat such as sunshine, fire or the like. Danger of explosion!

NOTE:

After about 10 minute without a signal, the device will automatically switch to "OFF" mode.

BASIC FUNKTION

GENERAL OPERATION

- At standby mode, press the "**STANDBY/FUNCTION**" button to switch on the unit.
- Press the "**STANDBY/FUNCTION**" button once to switch other mode. (CD/ MP3/ USB/ FM/TAPE)
- Press the "**VOL+**" or "**VOL-**" button to adjust volume level.
- **Press and hold the "STANDBY/FUNCTION" button for 2 seconds to switch off the unit in all modes.**

RADIO OPERATION

AUTOMATIC TUNING

1. Press the "**FUNCTION**" button to select "FM" mode.
2. Press and hold the "**SKIP+ ►►**" or "**SKIP- ◄◄**" button over 2 seconds to start automatic tuning process.
3. When a station is tuned in the tuning process, it will stop automatically and you can listen to your desired station.

MANUAL TUNING

It is for selecting stations, which cannot be tuned automatically. (manual selection)

1. Press the "**FUNCTION**" button to select FM mode.
2. Press the "**SKIP+ ►►**" or "**SKIP- ◄◄**" button to select station.
3. Each time the "**SKIP+ ►►**" or "**SKIP- ◄◄**" button is pressed momentarily the frequency changes by a fixed step: 0.05MHz.

AUTO SCAN

This product equipped auto station scan & saving function. Up to 30 stations can be saved.

1. Press the "**FUNCTION**" button to select FM mode.
2. Press and hold the "**SCAN**" button 2 seconds, unit will auto search and save all available radio station.
3. Press the "**M+**" or "**M-**" to select your preset station.

PRESET STATION

Up to 30 stations can be presented (replace the AUTO SCAN saving station)

1. Select desired radio station by "**SKIP+ ►►**" or "**SKIP- ◄◄**".
2. Press the "**MEMO**" button, the display will show "P01" and flashing.
3. Press the "**M+**" or "**M-**" button to select the preset station position.
4. Press the "**MEMO**" button again to confirm desired radio station in memory.
5. Once all the stations were preset, press the "**M+**" or "**M-**" button to listen to your desired station.

FOR BETTER RECEPTION

This appliance has a FM antenna located at the rear cabinet. This wire is completely unraveled and extended for better reception.

Note: Microphone cannot operate in radio mode.

CD / MP3 OPERATION

Whenever connected to microphone are available for playback and record to cassette.

GENERAL OPERATION

PLAY / PAUSE 

Press to start playing CD / MP3 disc.
Press again to stop playing CD / MP3 operation temporarily.
Press again to resume playback.

SKIP +  & SKIP - 

Press to go to the next track or back to the previous track.
Press and hold while playing until you find the point of the sound.

STOP 

Press to stop all CD / MP3 operation.

ALBUM+

Press to go to next folder (only available for MP3-disc with folder)

PLAYBACK

1. Press the "**FUNCTION**" button to select "CD" mode.
2. Open the CD door and place a CD / MP3 disc with the label up in the CD compartment.
3. Close the CD door.
4. Focus search is performed and total number will show on display.
5. Playback will start automatically from the first track.
6. Press the "**VOL +**" or "**VOL -**" button to adjust the volume to desired level.
7. Press the "**PLAY / PAUSE**" button when you want to stop playback temporarily.
8. Press the "**STOP**" button when finished.

PROGRAM

Up to 20 tracks of CD disc, 99 tracks of MP3 disc can be programmed for disc play in any order. Be sure to press the "STOP" button before use.

1. Press the "**MODE**" button, the display will show "P01".
2. Select desired track by using the "**SKIP+ ▶▶**" or "**SKIP- ◀◀**" button.
3. Press the "**MODE**" button again to confirm desired track into the program memory.
4. Repeat step 2 and 3 to enter additional tracks into the program memory.
5. When all the desired tracks have been programmed, press the "**PLAY / PAUSE**" button to play the disc in the order you have programmed.
6. Press the "**STOP**" button twice to terminate programmed playback.

MODE

Press the "**MODE**" button during playing CD / MP3 disc, each press switches the mode function as follows:

1. REPEAT 1
2. REPEAT ALL
3. RANDOM
4. NORMAL PLAYBACK

MICROPHONE OPERATION

1. Connect microphone cable to microphone jack
2. Switch "ON" microphone
3. Select CD,MP3 or USB mode
4. Press cassette "**REC**" button to start recording to cassette.

Note: Microphone operation isn't available in Radio and Tape playback mode.

USB OPERATION

Whenever connected to microphone are available for playback and record to cassette.

GENERAL OPERATION

PLAY / PAUSE ►	Press to start playing tracks from the USB. Press again to stop playing USB operation temporarily. Press again to resume playback.
SKIP + ►► & SKIP - ◀◀	Press to go to the next track or back to the previous track. Press and hold while playing until you find the point of the sound.
STOP ■	Press to stop all USB operation.
ALBUM+	Press to go to next folder (only available for MP3 file with folder)

PLAYBACK

1. Plug or slot in USB device to the port.
2. Press the "**FUNCTION**" button to select "USB" mode.
3. Reading is performed and total number will show on display.
4. Playback will start automatically from the first track.
5. Press the "**PLAY / PAUSE**" button when you want to stop playback temporarily.
6. Press the "**STOP**" button when finished.

PROGRAM / MODE

The operation of "PROGRAM", "MODE" are as the same as that of "CD / MP3". Please refer to "CD / MP3 OPERATION".

TAPE OPERATION

GENERAL OPERATION

PAUSE	Press to stop playing tape operation temporarily. Press again to resume tape operation.
STOP	Press to stop tape operations. Press again to open the cassette door after the tape spools stop turning.
FAST FORWARD ◀◀ & REWIND ►►	Press to start rapid tape winding either forward or reverse direction.
PLAY ►	Press to start playing tape.
RECORD ●	Press it together with "PLAY" button to start recording.

PLAYBACK

1. Press the "**FUNCTION**" button to select "TAPE" mode.
2. Press the "**STOP / EJECT**" button to open the cassette door and insert your tape.
3. Close the cassette door.
4. Press the "**PLAY**" button to start playing tape.
5. Press the "**VOL+**" or "**VOL-**" button to the desired volume level.
6. Press the "**PAUSE**" button when you want to stop playing tape operation temporarily.
7. Press the "**STOP / EJECT**" button when finished.

Note: Microphone cannot operate in tape playback mode.

RECORDING

1. Press the "**STOP / EJECT**" button to open the cassette door and insert a blank tape.
2. Select the source you want to record.
3. To record from radio - Press the "**FUNCTION**" button to select "RADIO" mode and adjust the desired station.
4. To record from CD - Place a disc on the CD compartment. Press the "**FUNCTION**" button to select "CD" mode and select the desired track.
5. Press the "**RECORD**" button together with the "**PLAY**" button to start recording.
6. Press the "**STOP / EJECT**" button when finished.

Playing Cassettes

1. Turn the function selector switch to the **"TAPE"** position.
2. Press the **"STOP/EJECT"** button to open the cassette compartment.
3. Insert a recorded audiocassette into the compartment with the tape opening facing upwards and the side you wish to listen to facing the front (full spool to the right). Then close the cassette compartment again.
4. Press the **"PLAY"** key to listen to the tape.
5. With the **"STOP/EJECT"** key you can stop play-back.
6. Wind the tape forwards or backwards if necessary in the direction of the arrow keys.
7. Always press the **"STOP/EJECT"** key when changing the direction or stopping the tape. This prevents damage to the machine and the tape.
8. If the **"STOP/EJECT"** button is pressed again the flap of the cassette compartment opens.
9. In order to interrupt playback briefly, press the PAUSE button. Pressing again continues playback.

OTHER FEATURES

PHONES:

To listen to music privately, use headphones with a 3.5 stereo jack plug and connect to the headphones socket on the back of the system. The speakers will then be muted.

NOTE: Adjust the volume of the external device to a comfortable level.

EQ

EQ type: "ROCK" – "POP" – "CLASSIC" – "JAZZ" – "FLAT"

Press and hold the **"EQ"** button 2 seconds to choose the correct setting

SLEEP

Sleep type: 120, 90, 60, 45, 30, 15, "OFF"

Press and hold the **"SLEEP"** button 2 seconds to enter **"SLEEP"** setting. Press the **"SLEEP"** button again to choose the correct setting.

Automatic Standby Switching

This product is equipped with an auto power-save function in the CD/ MP3/ USB/TAPE mode, if the unit remains in STOP, PAUSE or NO DISC mode for more than 10 minutes it will automatically switch off. Please press **"POWER/FUNCTION"** button again to re-active the unit.

SPECIFICATIONS

FM:	87.5-108MHz
OUTPUT POWER:	2 x 1W
AC:	100-240V~60/50Hz
POWER CONSUMPTION:	8W

THE SPECIFICATION AND EXTERNAL APPEARANCE OF THE SET ARE SUBJECT TO CHANGE WITHOUT PRIOR NOTICE.

Importer

Wörlein GmbH
 Gewerbestrasse 12
 D 90556 Cadolzburg
 Germany

Tel.: +49 9103 71 67 0
 Fax.: +49 9103 71 67 12
 Email: service@woerlein.com
 Web: www.woerlein.com

