



DEUTSCH
ENGLISH
FRANÇAIS
NEDERLANDS

PORTUGUÊS
ESPAÑOL
SVENSKA

Hersteller

Wörlein GmbH
Gewerbestr. 12
D 90556 Cadolzburg
GERMANY

Tel.: +49 9103/71670
Fax.: +49 9103/716712
Email: info@woerlein.com
Web: www.woerlein.com



ENVIRONMENTAL PROTECTION



Do not dispose of this product with the normal household waste at the end of its life cycle. Return it to a collection point for the recycling of electrical and electronic devices. This is indicated by the symbol on the product, user manual or packaging.

The materials are reusable according to their markings. By reusing, recycling or other forms of utilization of old devices you make an important contribution to the protection of our environment.

Please contact your local authorities for details about collection points.

	WARNING Risk of electric shock Do not open!	
Caution: To reduce the risk of electric shock, do not remove the cover (or back). There are no user serviceable parts inside. Refer servicing to qualified service personnel.		



This symbol indicates the presence of dangerous voltage inside the enclosure, sufficient enough to cause electric shock.



This symbol indicates the presence of important operating and maintenance instructions for the device.

Safety, Environmental and Setup Instructions

- Use the device in dry indoor environments only.
- Protect the device from humidity.
- Do not open the device. **RISK OF ELECTRIC SHOCK!** Refer opening and servicing to qualified personnel.
- Connect this device to a properly installed and earthed wall outlet only. Make sure the mains voltage corresponds with the specifications on the rating plate.
- Make sure the mains cable stays dry during operation. Do not pinch or damage the mains cable in any way.
- A damaged mains cable or plug must immediately be replaced by an authorized service center.
- In case of lightning, immediately disconnect the device from the mains supply.
- Children should be supervised by parents when using the device.
- Clean the device with a dry cloth only.
Do NOT use CLEANING AGENTS or ABRASIVE CLOTHS!
- Do not expose the device to direct sunlight or other heat sources.
- Install the device at a location with sufficient ventilation in order to prevent heat accumulation.
- Do not cover the ventilation openings!
- Install the device at a safe and vibration-free location.
- Install the device as far away as possible from computers and microwave units; otherwise radio reception may be disturbed.
- Do not open or repair the enclosure. It is not safe to do so and will void your warranty. Repairs only by authorized service/ customer center.
- Only use mercury and cadmium-free batteries.
- Used batteries are hazardous waste and NOT to be disposed of with the household waste!!!
Return the batteries to your dealer or to collection points in your community.
- Keep batteries away from children. Children might swallow batteries.
Contact a physician immediately if a battery was swallowed.
- Check your batteries regularly to avoid battery leakage.
- Batteries shall not be exposed to excessive heat such as sunshine, fire or the like.
- CAUTION: Danger of explosion if battery is incorrectly replaced
Replace only with the same or equivalent type



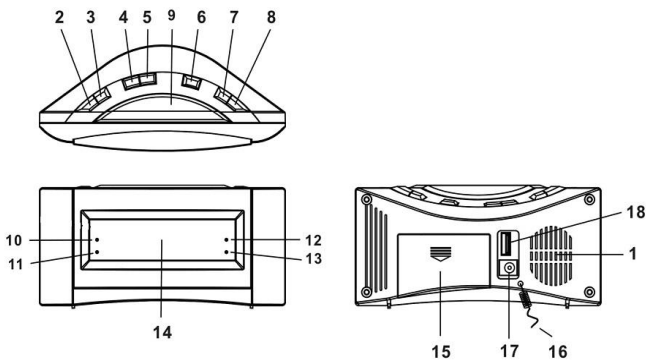
Used batteries are hazardous waste and NOT to be disposed of with the household waste! As a consumer you are legally obligated to return all batteries for environmentally responsible recycling - no matter whether or not the batteries contain harmful substances *).

Return batteries free of charge to public collection points in your community or to shops selling batteries of the respective kind.

Only return fully discharged batteries.

*) marked Cd = cadmium, Hg = mercury, Pb = lead

LOCATION OF CONTROLS



1. **SPEAKER**
2. **SOURCE / AL. OFF**
 - Use this button to select FM band.
 - Use this button to turn the ALARM off after Alarm activates.
3. **MEM/M+/TIME**
 - In CLOCK mode, use this button to set the clock
 - In RADIO mode, use this button to store radio stations in the memory.
 - In RADIO mode, use this button to select the stored radio stations in the memory.
4. **AL2 / VOL-**
 - In CLOCK mode, use this button to set the alarm time in ALARM 2.
 - In RADIO mode, use this button to decrease the volume.
5. **AL1 / VOL+**
 - In CLOCK mode, use this button to set the alarm time in ALARM1.
 - In RADIO mode, use this button to increase the volume.
6. **DIMMER**
 - Use this button to adjust the brightness.
7. **MIN / TUN -**
 - In CLOCK mode, use this button to adjust the minute in CLOCK or ALARM time.
 - In RADIO mode, use this button to search the radio station in backward direction.
8. **HR / TUN +**
 - In CLOCK mode, use this button to adjust the hour in CLOCK or ALARM time.
 - In RADIO mode, use this button to search the radio station in forward direction.
9. **SNOOZE / SLEEP**
 - In ALARM mode, use this button to temporarily suspend the ALARM for a short period.
 - In RADIO mode, use this button to set the sleep time.
10. **AL1-Buzzer INDICATOR**
 - This indicator shows that the unit is in ALARM-1 buzzer mode.
11. **AL1-Radio INDICATOR**
 - This indicator shows that the unit is in ALARM-1 radio mode.
12. **AL2-Buzzer INDICATOR**
 - This indicator shows that the unit is in ALARM-2 buzzer mode.
13. **AL2-Radio INDICATOR**
 - This indicator shows that the unit is in ALARM-2 radio mode.
14. **LED DISPLAY**
 - Display the Time and Radio frequency.
15. **BATTERY COMPARTMENT**
 - Compartment for the back-up battery.
16. **FM WIRE ANTENNA**
 - Extend this wire antenna to obtain better FM broadcasting.
17. **DC JACK**
 - Connect the unit to the AC/DC adaptor.
18. **USB Port for Charging**
 - Connect a USB cable to charge your device.

SPECIFICATIONS

Frequency Range: FM 87.5 – 108 MHz
 Power Supply: AC 230V ~ 50 Hz
 AC/DC Adaptor: DC 5V 1.8A
 Back-Up Battery: 2 pcs. UM-4 batteries (not included)

Specifications are subject to change without prior notice.
 Copyright by Wörlein GmbH, Cadolzburg

IMPORTER

Wörlein GmbH
 Gewerbestrasse 12 – D 90556 Cadolzburg
 Tel.: +49 9103 7167 0 Fax.: +49 9103 7167 12
 Email: service@woerlein.com



CONNECTING THE UNIT TO POWER

Plug one end of the AC adaptor into the DC power Input, and then plug the other end into AC wall outlet. Before switching on the unit, make sure that the voltage of your electricity supply is the same as that indicated on the rating plate.

BATTERY BACKUP

Insert two pieces UM-4 batteries into the battery compartment. Be sure to observe the proper polarity (the "+" and "-" signs) as indicated inside the battery compartment. (Battery not included)

In case of power failure or interrupted AC power, the current time and alarm time settings, the stored radio stations are preserved in the memory of the unit by means of battery back-up function.

SETTING THE CLOCK

1. With the unit in CLOCK mode, press and hold the TIME button for about 1 second, the time will begin to flash on the LED display.
2. Press the HR button to adjust the hour.
3. Press the MIN button to adjust the minute.
4. When the correct time is selected, press the TIME button again to confirm.

SETTING THE ALARMS

1. With the unit in CLOCK mode, press the AL1 or AL2 button. The ALARM time will begin to flash on the LED display.
2. Press the HR button to adjust the alarm hour.
3. Press the MIN button to adjust the alarm minute.
4. When the correct time is selected, press the AL1 or AL2 button to confirm.
5. Press the AL1 or AL2 to select the ALARM sound mode - buzzer or currently set radio station. The alarm buzzer or radio indicator will light up.

SNOOZE FUNCTION

1. Whenever the alarm (radio or buzzer) activates, it can be temporarily suspended for a short period of 9 minutes by pressing the SNOOZE button once.
2. The buzzer or radio will then automatically activate again after the 9 minutes SNOOZE period has ended.
3. This procedure can be repeated for up to approximately one hour.

TURN OFF THE ALARM

When the Alarm activate, press the AL.OFF button to turn off the Alarm.

LISTENING TO THE FM RADIO

1. Press the SOURCE button again to select FM RADIO.
2. Press the TUN- or TUN+ button step by step to tune to the desired radio stations.
3. Press and hold the TUN- or TUN+ buttons for approx. 1 second, it will start to search the next radio station in the direction of the search. The search operation simply finds stations with strong signals. Stations with weak reception can only be tuned in manually.

ANTENNA

For best reception, fully extend the FM wire antenna to receive FM stations.

SAVING A RADIO STATION TO THE MEMORY

1. Tune the radio to the desired station.
2. Press and hold the TIME button for approx.. 1 second, the display will show 'PXX' (where XX is the memory station number), it will store this radio station in the memory.
3. Up to 10 FM radio stations can be stored in the memory.

TO LISTEN TO A SAVED RADIO STATION

In RADIO mode, press the M+ button to go to the next preset radio station in the memory.

SLEEP TO MUSIC FUNCTION

1. This function allows you to listen to the radio while you fall asleep.
2. Press the SNOOZE/SLEEP button, the display will show the default sleep time of 90 minutes
3. Press the SNOOZE/SLEEP button again to adjust the desired sleep time.
4. The options are 90-80-70-60-50-40-30-20-10-min. or OFF
5. Now you can enjoy listening to the radio for the pre-set period of sleep time.
6. After this pre-set time has elapsed, the unit will switch off automatically.

USB CHARGING

Connect the USB cable (not supplied) to your device and the unit's USB port. The unit will charge your device, such as smartphones or tablets. .