

 soundmaster®



DEUTSCH
ENGLISH
FRANÇAIS
NEDERLANDS

ITALIANO
NORSK
SVENSK

Hersteller

Wörlein GmbH
Gewerbestr. 12
D 90556 Cadolzburg
GERMANY

Tel.: +49 9103/71670
Fax.: +49 9103/716712
Email: info@woerlein.com
Web: www.woerlein.com



UR170SW / UR170WE

ENVIRONMENTAL PROTECTION



Do not dispose of this product with the normal household waste at the end of its life cycle. Return it to a collection point for the recycling of electrical and electronic devices. This is indicated by the symbol on the product, user manual or packaging.

The materials are reusable according to their markings. By reusing, recycling or other forms of utilization of old devices you make an important contribution to the protection of our environment.

Please contact your local authorities for details about collection points.

	WARNING Risk of electric shock Do not open!	
Caution: To reduce the risk of electric shock, do not remove the cover (or back). There are no user serviceable parts inside. Refer servicing to qualified service personnel.		



This symbol indicates the presence of dangerous voltage inside the enclosure, sufficient enough to cause electric shock.



This symbol indicates the presence of important operating and maintenance instructions for the device.

Safety, Environmental and Setup Instructions

- Use the device in dry indoor environments only.
- Protect the device from humidity.
- Do not open the device. **RISK OF ELECTRIC SHOCK!** Refer opening and servicing to qualified personnel.
- Connect this device to a properly installed and earthed wall outlet only. Make sure the mains voltage corresponds with the specifications on the rating plate.
- Make sure the mains cable stays dry during operation. Do not pinch or damage the mains cable in any way.
- A damaged mains cable or plug must immediately be replaced by an authorized service center.
- In case of lightning, immediately disconnect the device from the mains supply.
- Children should be supervised by parents when using the device.
- Clean the device with a dry cloth only.
Do NOT use CLEANING AGENTS or ABRASIVE CLOTHS!
- Do not expose the device to direct sunlight or other heat sources.
- Install the device at a location with sufficient ventilation in order to prevent heat accumulation.
- Do not cover the ventilation openings!
- Install the device at a safe and vibration-free location.
- Install the device as far away as possible from computers and microwave units; otherwise radio reception may be disturbed.
- Do not open or repair the enclosure. It is not safe to do so and will void your warranty. Repairs only by authorized service/ customer center.
- Only use mercury and cadmium-free batteries.
- Used batteries are hazardous waste and NOT to be disposed of with the household waste!!!
Return the batteries to your dealer or to collection points in your community.
- Keep batteries away from children. Children might swallow batteries.
Contact a physician immediately if a battery was swallowed.
- Check your batteries regularly to avoid battery leakage.
- Batteries shall not be exposed to excessive heat such as sunshine, fire or the like.
- CAUTION: Danger of explosion if battery is incorrectly replaced
Replace only with the same or equivalent type



Used batteries are hazardous waste and NOT to be disposed of with the household waste! As a consumer you are legally obligated to return all batteries for environmentally responsible recycling - no matter whether or not the batteries contain harmful substances *).

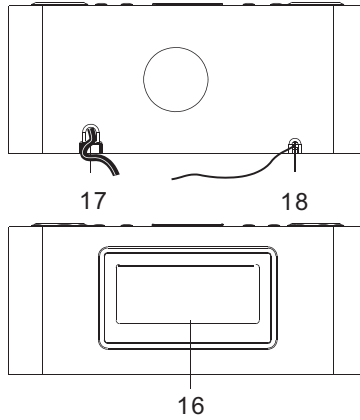
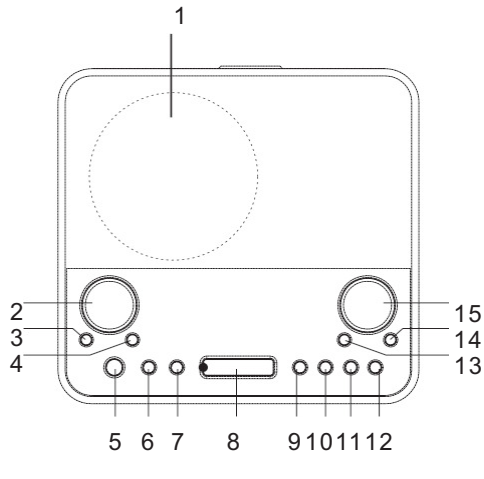
Return batteries free of charge to public collection points in your community or to shops selling batteries of the respective kind.

Only return fully discharged batteries.

*) marked Cd = cadmium, Hg = mercury, Pb = lead

FEATURES AND CONTROLS

FEATURES AND CONTROLS



1. SPEAKER
2. SCROLL BUTTON
3. MEMORY BUTTON
4. SELECT BUTTON
5. STANDBY/ON BUTTON
6. MODE BUTTON
7. BACKLIGHT BUTTON
8. SNOOZE BUTTON
9. INFO BUTTON
10. MENU BUTTON
11. SLEEP BUTTON
12. MUTE BUTTON
13. ALARM 1 BUTTON
14. ALARM 2 BUTTON
15. VOLUME BUTTON
16. LCD DISPLAY
17. AC CORD
18. WIRE ANTENNA

LISTENING TO YOUR RADIO

Hints for better reception

This radio carries a single DAB/FM lead wire antenna, to obtain the best performance, you should fully extend the wire antenna and adjust the position as well as the direction until you find the best reception. For ideal DAB reception, always maintain the lead wire antenna in a vertical position (holding it upward or downward behind the unit) is highly recommended.

Getting started

When the radio is connected to the AC power for the first time, it will be in standby mode. The display backlight will be on for a few seconds and the clock will be finally displayed. Press the STANDBY/ON button once to turn the radio on, it will then automatically enter into the DAB mode and perform auto scan function. During the scan the display will show "Scanning ..." together with a slide bar that indicates the progress of the scan and the amount of stations that have been found so far. (F. 1) (F. 2)

Once the scan has finished, the radio will select the first alphanumerically found station. You can now press the ▲ or ▼ button to explore the found stations and then press the SELECT button to select your station.



Note: If there is no stations found after auto scan, the radio will then enter into the Tune Select Menu, you can now press the ▲ / ▼ buttons followed by pressing the SELECT button to select "Manual tune" or "Autoscan" for stations.

Clock setting

The clock will only set and be updated if you can receive DAB signals in your location. In order for the clock to synchronise to the current local time, you must leave it one DAB station for a short period. Manual clock setting is not required.

DAB auto scan

The auto scan will search for the entire DAB Band III channels. After the scan has finished, the first alphanumerically found station will be automatically selected.

1. To activate auto scan, first press the MENU button to enter into the Tune Select Menu and then press the ▲ or ▼ button to select "Autoscan", finally press the SELECT button to confirm, the display will show "Scanning ..." and a progressing slide bar.(F. 3)
2. All the stations that have been found will be stored automatically, to explore the stations that have been found, press the ▲ or ▼ buttons and when you find a station that you would like to listen to,

DAB manual tune

1. To select manual tune, first press the MENU button to enter into the Tune Select Menu, then press the SELECT button to select "Manual tune". (F. 4)
2. Press the ▲ or ▼ button to move through the DAB channels, the display will show "5A to 13F" and their associated frequencies. (F. 5)
3. When your desired frequency appears in the display, press the SELECT button to confirm. The name of the station group (ensemble/multiplex) will be displayed.
4. To listen to the station selected, press the SELECT button again.

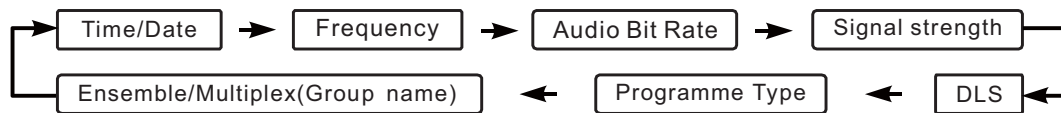


DAB secondary services

On some occasions you will see a ">" symbol directly after the name of the station, this indicates that there are secondary services available to that station. These secondary services contain extra services that relate to the primary station. E.g. a sports station may want to add extra commentaries. The secondary services are inserted directly after the primary station. To select the secondary station, press on the SELECT control once.

DAB display modes

Every time you press the INFO button, the display will cycle through the following display modes:



Time and date

The time and date will be automatically updated by the broadcasted information; it is no need to set the clock manually. In the unlikely event that no clock information is received, the display will show "<TIME/DATE>".

Frequency

The frequency of the present station will be displayed.

Audio bit rate

The display will show the digital audio bit rate being received.

Signal strength

The display will show a slide bar to indicate the signal strength, the stronger the signal, the longer the bar will be from left to right.

DLS

DLS stands for Dynamic Label Segment which is a scrolling message that the broadcaster may include in their transmissions. The message usually includes information such as programme details ...etc.

Programme type

This describes the style of the programme that is being broadcast. If the information is not available, the display will show "<Programme Type>".

Ensemble/Multiplex (Group name)

The Ensemble/Multiplex is a collection of radio stations that are bundled and transmitted together in a single frequency. There are national and local multiplexes, local ones contain stations that are specific to that area.

Note: Press and hold the INFO button for longer than 2 seconds, the software version number will be displayed.

FM radio

1. To select FM, press the DAB/FM button, the display will show FM and the frequency.
2. To activate auto search, press and hold the ▲ or ▼ button until it starts to scan the frequency band, the display will show "Searching ... > ." or "Searching ... < .", and it will stop automatically once a station has been found. (F. 6)
3. To activate manual search, repeatedly press the ▲ or ▼ button.
4. To select audio mode, press the MENU button to toggle between the "Auto" or "Mono" selection.



Note: The radio will automatically switch between the stereo and mono reception, but you can override this and switch this function manually which is helpful for poor signal reception. During stereo reception, the received L/R stereo sound will be automatically combined to one single channel to suit the single speaker design of this radio.

STORING AND RECALLING STORED STATIONS

In either DAB or FM mode, you can store up to 10 stations to the favourite presets; this will enable you to get direct access to your favourite stations.

1. To store a preset, first tune to your desired station, then press and hold the PRESET button, the display will show "Empty preset 1", and the preset number will flash. (F. 7)
2. Press the ▲ or ▼ button to select your desired station preset number.
3. Press the SELECT to confirm your selection, the display will show "Preset # saved" (F. 8)
4. To recall a preset station, first press the PRESET button once, then press the ▲ or ▼ button to scroll up or down the presets that you have stored. When the display shows your desired preset number, release the buttons. If the preset hasn't been allocated a station, the display will show "Empty preset #".



FACTORY RESET

When you move the radio to another part of the country, your pre-tuned and stored DAB stations may no longer be available. If this is the case then you will need to reset your radio back to its original factory settings; to perform a factory reset, please do the following:

1. Plug the radio to mains and press the STANDBY/ON button to turn the radio on.
2. Press and hold the MENU button until the display shows "Press SELECT to confirm reset".
3. Release the MENU button and press the SELECT button once, the display will first show "Restarting ..." and after the reset is completed, the radio will go to standby.
4. Press the STANDBY/ON button to turn the radio on again, it will then automatically enter into the DAB mode and perform auto scan function. After the scan has finished, the radio will select and display the first alphanumerically found station.

Note: All of your stored DAB & FM presets will be lost once the reset has taken place.

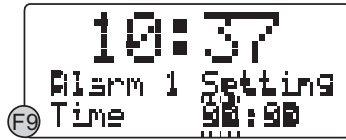
ALARM FUNCTION

This unit incorporates an identical Dual Alarm function. You can have two individual alarm wake-up time and wake-up mode settings to wake you to an electronic buzzer tone or your favourite radio station (DAB/FM).

Setting the alarm time and wake-up mode

1. Depress and hold the ALARM button (1 or 2) until the display shows "Alarm Setting" and the hour digit of the alarm time will flash.
2. Repeatedly press the ▲ or ▼ buttons followed by pressing the SELECT button to adjust and confirm your desired alarm time - first set the hour and then the minute. (F.9)
3. After the confirmation of the minute setting, the alarm time is set and you will enter into the wake-up

- Repeatedly press the ▲ or ▼ buttons followed by pressing the SELECT button to adjust and confirm the wake-up mode settings - first set the DAB and FM Preset (1-10), then the Buzzer Tone (1 or 2), finally the alarm Volume level (1-20). (F.10)
- After the selection of the alarm volume level, the wake-up mode settings are completed and the alarm function is now ready for you to activate.
- Repeat the above procedures to set the other Alarm (1 or 2).



Activating the alarm function

- To activate the alarm function, repeatedly press the ALARM button (1 or 2), the associated alarm wake-up mode will be displayed and changed in the below sequence on every press:



- When the display shows your desired alarm wake-up mode, release the button, the alarm function is now activated and the associated alarm icon will be displayed.
- When the alarm time arrives, the selected wake-up mode will be on and the alarm icon in the display will flash to indicate the alarm is triggered. To stop the alarm sooner, press the STANDBY/ON button.
- To check the alarm status, press the ALARM button (1 or 2) once and the associated alarm status will be displayed.

Note: If you have activated the alarm function and the wake-up mode is DAB or FM, make sure that the alarm volume level is set at a sufficient level for you to hear.

Automatic Alarm Repeat

The alarm will automatically repeat each day at the selected time as long as the alarm icon is displayed. To cancel this function, repeatedly press the ALARM button (1 or 2) button until the display shows "Alarm off".

SNOOZE FUNCTION

When the alarm has triggered, press the SNOOZE button will temporary switch off the alarm for 5 minutes, the display will show "Zz" to indicate snooze on. This is repeatable in the one hour alarm duration.

Note: The alarm comes first will have the priority and it would continue for a one hour duration, the snooze will just switch off this alarm temporary during this duration, so if the second alarm comes in this period, it will not function. But if the first alarm is switched off before the second alarm arrives, then the second alarm will be activated.

SLEEP FUNCTION

This function allows you to program the radio to switch off itself after a set period of time.

- To activate the sleep function, repeatedly press the SLEEP button, the display will show "Sleep Timer" and the time will change in the below sequence on every press:



- When your desired sleep time appears in the display, release the button and the sleep function will be activated in two seconds. The display will show "5 # " where "5 1" is to represent "10 minutes" sleep time and so on.
- When the sleep time counts to zero, the unit will go off. To put the sleep function off during sleep timer on, repeatedly press the SLEEP button until the display shows "Sleep Timer off".
- To check the sleep timer status, repeatedly press the INFO button until you see the sleep timer information appears in the display.

MUTE FUNCTION

Press the MUTE button to stop the sound from the speaker temporarily, the sound stops and the display will show "Muted" and flash.

To cancel mute, press the MUTE button again or press the VOLUME +/-, "Muted" disappears in the display and the sound is restored.

DISPLAY BACKLIGHT

There are four backlight levels for you to set in unit operation.

To set the backlight, repeatedly press the BACKLIGHT button and the brightness of the display will change in the below sequence on every press:

Backlight off > Backlight 01 > Backlight 02 > Backlight 03 > Backlight off >.....

During standby, the backlight is defaulted to be "Backlight 01", and it will be turned on to full brightness for 5 seconds on every key press. Press the BACKLIGHT button will toggle the display backlight level between "Backlight off" and "Backlight 01".

Note: The display backlight level is defaulted to "Backlight 01" in standby and "Backlight 03" during operation. This is resumed only when the factory reset has taken place.

SPECIFICATION

POWER SUPPLY:	AC 100-240V~60/50Hz
OUTPUT POWER :	1 W
FREQUENCY RANGE :	DAB 174 - 240 MHz
	FM 87.5 - 108 MHz
UNIT DIMENSION :	160 (L) x 130 (W) x 60 (H) mm
WEIGHT:	0.53kg

SPECIFICATION SUBJECT TO CHANGE WITHOUT FURTHER NOTICE.