

## FUNCTION AND CONTROLS

1. LAMP SHADE
2. DISPLAY
3. LIGHT ON-OFF
4. TO SET THE LIGHT INTENSITY LOW
5. TO SET THE LIGHT INTENSITY HIGH
6. MOOD LIGHT ON -OFF / MOOD LIGHT SELECT
7. TIME SET / TEMPERATURE / MEMORY / MEMORY+
8. SNOOZE / SLEEP / DIMMER
9. SOURCE/ DISPLAY OFF
10. << / TUNE - / YEAR/MONTH-DAY / C-F / BETWEEN DISPLAY CONTENTS ON-OFF / NATURAL SOUND SELECT <<
11. >> / TUNE + / NAP / DST / NATURAL SOUND SELECT >>
12. ALARM 1 CONTROL / VOLUME DOWN
13. ALARM 2 CONTROL / VOLUME UP
14. ON / OFF / ALARM OFF
15. AUX IN JACK
16. DC POWER INPUT
17. TEMPERATURE SENSOR (IN DOOR)
18. SPEAKER
19. RATING LABEL (BOTTOM OF UNIT)
20. FM ANTENNA
21. BATTERY COMPARTMENT (BOTTOM OF UNIT)

## REMOTE CONTROL

The remote control works on one 3V "CR2025 type" lithium battery (included). To activate the remote control, remove the insulation tab inserted in the battery compartment. To remove the tab, pull it in the direction of the arrow as shown in the illustration.

If the operation of the remote control becomes unsatisfactory, replace the original battery with a new 3-volt lithium battery of the same type.

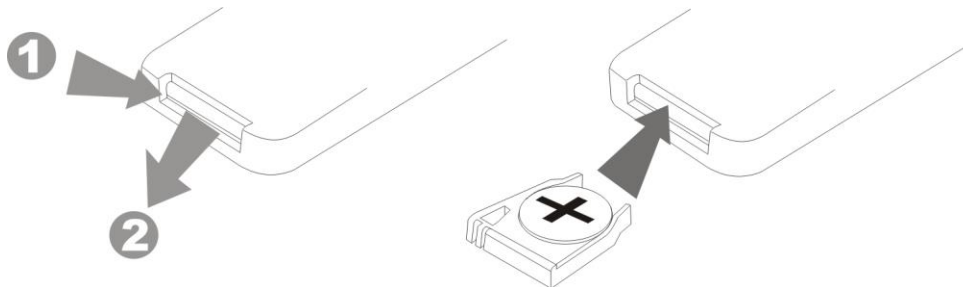
1. Slide out the battery holder from the remote control case. (see diagram).
2. Replace the weak/dead battery with a new one. Be sure the battery is installed correctly. The remote control will not work if the battery is installed with wrong polarity,

**CAUTION:** Danger of explosion if the battery is replaced incorrectly.

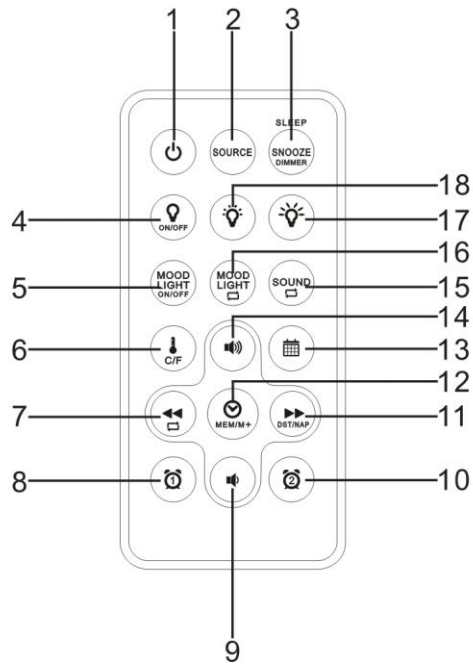
Replace only with the same or equivalent type of battery.

3. Insert the battery holder back into the battery slot.

**NOTE:** Only use a well-known brand of cell battery to ensure the longest life and best performance.

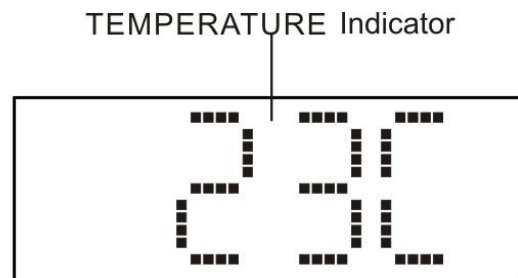
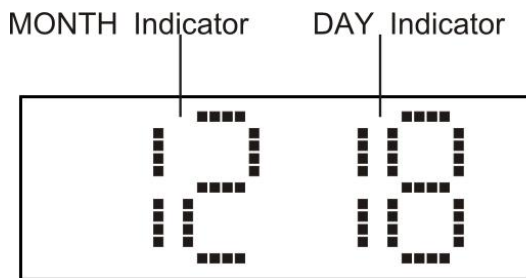
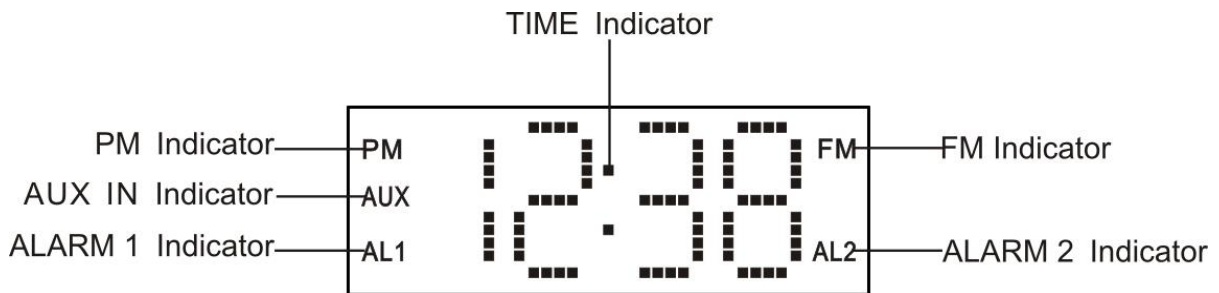


## LOCATION OF REMOTE CONTROLS



1. ON/OFF / ALARM OFF
2. SOURCE / DISPLAY OFF
3. SNOOZE / SLEEP / DIMMER
4. LIGHT ON/OFF
5. MOOD LIGHT ON / OFF
6. TEMPERATURE / C-F
7. << / TUNE - / BETWEEN DISPLAY CONTENTS ON-OFF
8. ALARM 1 CONTROL
9. VOLUME DOWN
10. ALARM 2 CONTROL
11. >> / TUNE + / NAP / DST
12. TIME SET / MEMORY / MEMORY+
13. YEAR/MONTH-DAY
14. VOLUME UP
15. NATURAL SOUND SELECT
16. MOOD LIGHT SELECT (To turn the unit RGB color changing or to stop the MOOD LIGHT color changing.)
17. TO SET THE LIGHT INTENSITY HIGH
18. TO SET THE LIGHT INTENSITY LOW

### LED DISPLAY MODE



#### **Get started**

- Select a proper place for the device such as a dry, and even non slip area where you can easily operate the device.
- Inserting the Battery (Backup)

#### **INSTALLING/REPLACING THE BACK-UP BATTERY**

This unit is equipped with a battery back-up system, requiring one DC3V CR2032 lithium battery (not included) to maintain the time/calendar settings and radio presets during AC power outage.

1. Unscrew and remove the BATTERY COMPARTMENT COVER.
2. Install one fresh CR2032 lithium battery into the battery compartment following the polarity diagram on the BATTERY COMPARTMENT COVER. Use only the specified size and type of battery.
3. Replace the BATTERY COMPARTMENT COVER and tighten its screw.

Note: The unit will operate without a battery installed but your time & alarm setting and radio presets will be lost and will have to be reset in the event of power interruption or failure.

#### **IMPORTANT:**

Be sure that the battery is installed correctly. Wrong polarity may damage the unit and void the warranty. For best performance and longer operating time, we recommend the use of good quality alkaline battery.

## **AC POWER CONNECTION**

Plug the AC power cord into a household outlet AC source.

## **SETTING THE CALENDAR AND TIME**

1. In standby mode, press and hold the unit button (7) or the remote control button (12) for about 2 seconds to enter the calendar/time set mode.
2. The year indicator will flash on the LED DISPLAY for up to 30 seconds prompting for a new entry.
3. While the display is flashing, repeatedly tap the unit buttons (10), (11) or the remote control button (7), (11) to adjust to the correct year. Press and hold the unit (10), (11) button or the remote control button (7), (11) for faster scanning backward or forward. Tap the unit button (7) or the remote control button (12) to confirm.
4. Repeat steps #2 to #3 to adjust the month, day, time format, current hour and finally current minute in the same way.

Notes:

-The display sequence in calendar / time set mode will be as follows:

Year → Month → Date → 12/24 Hour Time Format → Real Time Hour →  
Real Time Min → Normal Time

-To check the year while current time is displayed, tap the unit button (10) or the remote control button (13) once. The LED DISPLAY will change to year display for 5 seconds and then revert to current time automatically.

-To check the date while current time is displayed, tap the unit button (10) or the remote control button (13) twice. The LED DISPLAY will change to date display for 5 seconds and then revert to current time automatically.

-During the time set, if no button is being pressed within 10 seconds, the current display time will be automatically stored.

-Make sure the hour is set so that the PM indicator is displayed correctly for afternoon/night times.

## **Switching the Unit On/Off**

Press the unit on/off button (14) or the remote control on/off button (1) to switch the unit on or off.

## **Volume Adjust**

Press the unit (12) and (13) button or the remote control button (9) and (14) button to set the desired volume level. The volume level reading will appear in the LED DISPLAY.

**Display Brightness (in standby)**

In standby mode, Press the unit DIMMER button (8) or the remote control DIMMER button (3) to adjust the display brightness.

**Display on/off function**

- In standby mode, press and hold unit SOURCE button (9) or the remote control SOURCE button (2) for 3 seconds. “ON” appears on the display (2).
- After 15 seconds, the display (2) turns off.
- Press any button to turn the display (2) on for another 15 seconds.
- To deactivate the display on/off function, press and hold unit SOURCE button (9) or the remote control SOURCE button (2) for 3 seconds. “OFF” appears on the display (2).

**Reading light function**

1. Press the unit button (3) or the remote control button (4) to turn on the function.
2. Use the unit button (5) or the remote control button (17) to increase the brightness. use the unit button (4) or the remote control button (18) to reduce the brightness.
3. In order to turn off the function, press the button again.

**Mood light**

1. Press the unit button (6) or the remote control button (5) to turn on the mood light. The light will alternate in different colors.
2. Press and hold the unit button (6) for about 3 seconds or Press the remote control button (16) to stop or start the mood light color changing.
3. In order to turn off the mood light, press the unit button (6) or the remote control button (5) again.

**Toggle temperature display between °C (Celsius) and °F (Fahrenheit)**

1. Press the device to standby mode using the unit button (14) or the remote control button (1).
2. Press the unit button (7) or the remote control button (6) to display the temperature.
3. While the temperature is displayed, press the unit button (10) or the remote control button (6) for about 3 seconds to switch between °C and °F.

**RADIO TUNING**

1. In standby mode, Press the unit on/off button (14) or the remote control on/off button(1) to turn the unit 'On'.
2. The LED DISPLAY will show the radio frequency for about 5 seconds and then revert to normal time display.

### **AUTOMATIC SEARCH FOR RADIO STATIONS**

To automatically search for stations with strong signals, press and hold the main unit button (10) and (11) or the remote control button (7) and (11) until the frequency readout on the display begins to scan. Release the button. The tuner will stop on the first strong station it finds.

### **MANUAL SEARCH FOR RADIO STATIONS**

1. Tap the unit (10) and (11) button or the remote control button (7) and (11) repeatedly to choose your desired radio station.
2. Tap the unit (12) and (13) button or the remote control button (9) and (14) to set the desired volume level. The volume level reading will appear in the LED DISPLAY.

#### **Notes:**

- Use manual tuning to select weaker stations that might be skipped during automatic tuning.
- If the automatic tuning does not stop on the exact frequency of the station, for example, it stops on 88.9 MHz instead of 88.8 MHz, use the manual tuning method to “fine tune” to the exact frequency of the desired station.

### **HINTS FOR BEST RECEPTION**

FM - To insure maximum FM tuner reception, unwrap and fully extend the EXTERNAL FM WIRE ANTENNA for best FM radio reception.

### **TO SET/RECALL RADIO STATION PRESETS**

1. Press the unit button (10) and (11) or the remote control button (7) and (11) select the desired radio station.
2. Press and hold the unit (7) button or the remote control button (12), the next available preset memory number will flash on the LED display. (Note: “P01” will flash in the display if you are programming presets for the first time.)
3. Press the unit button (10) and (11) or the remote control button (7) and (11) to change to the desired preset number P01 thru P10.
4. Repeat steps #1 thru #3 to preset up to 10 FM stations.
5. To recall one of the preset stations already programmed, Press the unit button (7) or the remote control button (12) repeatedly until you reach the desired preset number/radio station.

## **ALARM SETTING**

You can set two alarm times. 6 different alarm options are available: Radio + Light / Radio / Buzzer + Light / Buzzer / Natural sound + Light / Natural sound.

The setting sequence for AL1 and AL2 is as follows:

In radio off mode, Press the main unit alarm set buttons (12) and (13) or the remote control buttons (8) and (10) to show the alarm time. Afterwards keep depress the unit alarm set button (12) and (13) or the remote control button (8) and (10) over 2 seconds to enter the alarm set mode. After enter the setting mode, press the unit alarm set button (12) and (13) to change the mode cycle as follows:

### **SETTING THE ALARM 1 (BEEPER)**

Normal Time → AL 1 Hour → AL 1 Min → AL 1 weekday Alarm → AL 1 beeper → Light → Light intensity → Normal Time.

### **SETTING THE ALARM 1 (RADIO)**

Normal Time → AL 1 Hour → AL 1 Minute → AL 1 weekday → AL 1 beeper → AL 1 radio → AL 1 final radio volume → AL 1 Light → AL 1 Light intensity → Normal Time.

### **SETTING THE ALARM 1 (NATURAL SOUND)**

Normal Time → AL 1 Hour → AL 1 Minute → AL 1 weekday → AL 1 beeper → AL 1 radio → AL 1 natural sound → (Use the unit buttons (10) and (11) or the remote control buttons (7) and (11) to select the desired natural sound) → AL 1 final natural sound volume → AL 1 Light → AL 1 Light intensity → Normal Time

### **SETTING THE ALARM 2 (BEEPER)**

Normal Time → AL 2 Hour → AL 2 Min → AL 2 weekday Alarm → AL 2 beeper → Light → Light intensity → Normal Time.

### **SETTING THE ALARM 2 (RADIO)**

Normal Time → AL 2 Hour → AL 2 Minute → AL 2 weekday → AL 2 beeper → AL 2 radio → AL 2 final radio volume → AL 2 Light → AL 2 Light intensity → Normal Time.

### **SETTING THE ALARM 2 (NATURAL SOUND)**

Normal Time → AL 2 Hour → AL 2 Minute → AL 2 weekday → AL 2 beeper → AL 2 radio → AL 2 natural sound → (Use the unit buttons (10) and (11) or the remote control buttons (7) and (11) to select the desired natural sound) → AL 2 final natural sound volume → AL 2 Light → AL 2 Light intensity → Normal Time.



**Proceed as follows:**

1. In standby mode, Press the unit Alarm1 button (12) or the remote control button (8). The currently set alarm time is shown.
2. Keep the button pressed for approx. 3 seconds when the alarm time is displayed. The hours of the currently set alarm time start to flash.
3. Use the unit buttons (10) and (11) or the remote control button (7) and (11) for setting.
4. Press the unit Alarm 1 button (12) or the remote control button (8) for confirmation. The minutes start to flash.
5. Use the unit buttons (10) and (11) or the remote control button (7) and (11) for setting.
6. Now select the days you want the alarm to sound. The following selections can be made:
  - 1-5 = Monday to Friday
  - 1-7 = Monday to Sunday
  - 6-7 = Saturday and Sunday
  - 1-1 = Weekday
- 6a. When you have selected the setting 1-1:
  1. Press the button to select the weekday.
  2. Make your selection with the buttons and.  
(1 = Monday, 2 = Tuesday, 3 = Wednesday, 4 = Thursday, 5 = Friday, 6 = Saturday, 7 = Sunday)
7. Press the button to confirm. Then select how you want to be awakened. Select from:
  - **“bu” (buzzer):**

A buzzer sounds when the alarm time is reached.  
The buzzer interval increases from slow to fast. The volume cannot be adjusted.
  - **Radio frequency is displayed:**

As soon as your set alarm time is shown, the radio switches on. The last set station is played. The volume increases slowly to the set volume. The volume cannot be adjusted.
  - **NS (natural sound):**

As soon as your set alarm time is shown, the natural sound switches on. The natural sound is played. The volume increases slowly to the set volume. The volume cannot be adjusted.

**NOTE:**

- The alarm function turns off automatically after 30 minutes until the next day.
- 7a. If you want to be awakened by a radio station, select the maximum alarm volume using the unit (10) and (11) buttons or the remote control (7) and (11) buttons.
8. Press the unit Alarm 1 button (12) or the remote control Alarm 1 button (8) to confirm. Then select the light intensity (L ) for the alarm function. Selecting “OFF ” will cancel this function.

**NOTE:**

The light inside the lamp shade (1) will turn on 30 minutes prior to the pre-set alarm time. The brightness will gradually increase, starting at the intensity level previously set.

9. Finally, press the button again. The first alarm time is now activated. To set the second alarm time, repeat the above steps with the main unit Alarm 2 button (13) or the remote control Alarm 2 button (10).

**NOTE:**

- If the alarm time has been activated, AL1 or AL2 will appear in the display.
  - In order to briefly display the set alarm times, press the unit Alarm 1 button (12) or the remote control Alarm 1 button (8) , respectively the unit Alarm 2 button (13) or the remote control Alarm 2 button (10).
- Turning off the Alarm Press the unit on/off button (14) or the remote control on/off button (1) to stop the alarm.

**Deactivate the Alarm Function**

1. Switch the device to standby with the unit button (14) or the remote control button (1).
2. To deactivate the alarm function, press and hold the main unit button (12) and (13) or the remote control button (8) and (10) for about 3 seconds . AL1 or AL2 will disappear.

**SNOOZE FUNCTION (MAIN UNIT)**

When the alarm source is sounding, press the unit any buttons (except on/off button (14)) or the remote control SNOOZE button(3) to suspend the alarm and activate the snooze function. The Alarm will temporarily stop and sound again 9 minutes later but the AL1 (or AL2) indicator will keep flashing.

Notes:

This manual snooze operation can be repeated again and again.

To turn off the snooze function, Press the main unit on/off button(14) or the remote control on/off button (1). The AL1 (or AL2) INDICATOR will stop flashing

## **SLEEP OPERATION**

The sleep timer allows you to turn the unit off after a designated time has elapsed.

1. While listening to the radio, tap the unit button SLEEP button (8) or the remote control button (3) the sleep time '90' (minutes) appears in the LED DISPLAY.
2. Repeatedly tap the SLEEP button to select a sleep timer of 90, 60, 30 or 15 minutes. Wait for about 10 seconds after your selection for the unit to confirm the selection, the unit will play for the selected length of time then turn itself 'Off' automatically.
3. To cancel the sleep timer, repeatedly tap the SLEEP button until you see the current time in the LED DISPLAY after last sleep timer option (15 minutes).
  - This function can be cancelled with the button (14).
4. This function can be cancelled with the unit button (14) or the remote control button (1).

### **Note:**

There is no sleep indicator in this unit. To check the remaining sleep time, tap the SLEEP button once.

## **Nap alarm**

The nap alarm can be used for e.g. a short "nap". The function only operates in standby.

- Press the unit button (11) or the remote control button (11) to select the time after which the device will beep. Select from 90 to 10 minutes or OFF (off) in steps of 10 minutes.
- After the selected time has elapsed, an increasingly fast beep will sound. Use the unit button (14) or the remote control button (1) to turn off the beep.

Note: When using the NAP alarm the wake up light function is inactive.

## **NATURAL SOUND**

1. In standby mode, tap the unit ON-OFF button (14) or the remote control ON-OFF button (1) to turn the unit 'On'.
2. Press the unit button (9) or the remote control button (2) to switch to natural sound mode.
3. Use the main unit buttons (10) and (11) or the remote control button (15) to select the desired natural sound.

## **DAYLIGHT SAVING TIME (DST) MODE**

If daylight saving time (DST) is available in the summer time in your State, you may use this option to adjust to the correct time easily.

1. In standby mode, press and hold the unit DST button (11) or the remote control button (11) for 2 seconds to advance the displayed time by one hour.
2. To cancel DST mode, repeat the above operation.

## **AUX IN JACK**

(Cable not included)

1. If required, use a suitable adapter (not included).

Connect the external device as follows :

- With a 3.5 mm stereo jack plug to the AUX IN socket (15).
2. Turn the device on using the unit button (14) or the remote control button (1). Press the unit button (9) or the remote control button (2) to switch to AUX IN mode. AUX IN appears in the display.
3. Start the playback of your audio source. Listen to the sound playback via the speaker. You can adjust the volume using the unit buttons (12/13) or the remote control button (9/14).
4. For the further procedure, please refer to the user manual of the external audio source.

### **NOTE:**

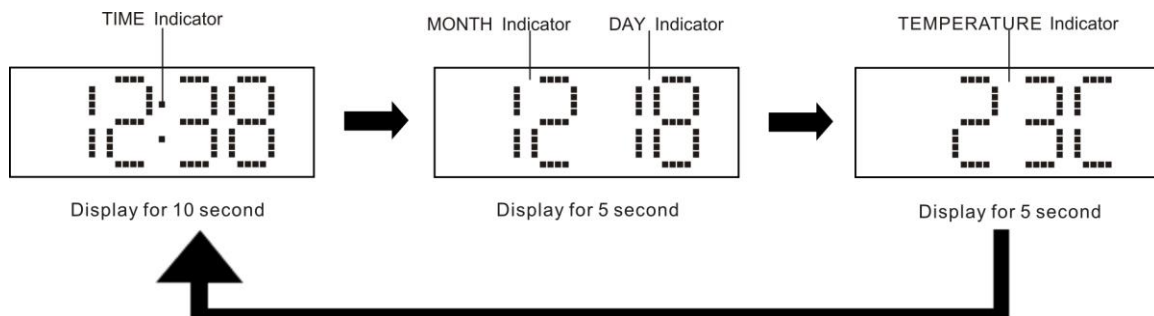
If possible, adjust the volume of the external unit to a comfortable level.

### **Stop AUX IN operation**

Disconnect the cable from the AUX IN jack. Press the unit on/off button (14) or the remote control button (1) to turn the unit off.

## ALTERNATE DISPLAY BETWEEN TIME AND TEMPERATURE MONTH-DATE DISPLAY

1. In radio off mode, press and hold the unit button (10) or the remote control button (7) for about 3 seconds until "ON" appears in the LED DISPLAY.
2. The DISPLAY will alternate between the current Time for 10 seconds and month- date for 5 seconds and temperature for 5 seconds as follows:



To cancel this function, press and hold the unit button (10) or the remote control button (7) for about 3 seconds until "OFF" appears on the LED DISPLAY. The DISPLAY will switch back to normal time display.

### NOTE

If you replace the battery, do not disconnect AC plug from AC outlet. Otherwise, current time and alarm will be initialized.

### RESETTING

If the system does not respond or exhibits erratic or intermittent operation, you may have experienced an electrostatic discharge (ESD) or a power surge that triggered the internal microcontroller to shut down automatically. If this occurs, simply disconnect the ac power cord and remove the system backup battery, wait for at least 3 minutes and then setup the unit again as if it is a brand new unit.

### SPECIFICATIONS

Frequency range: FM 87.5 – 108 MHz

In door Temperature Sensor Range: 32 °F to 122 °F (0°C to +50°C)

Battery backup: 3V (CR2032 Flat Lithium battery x 1)

Power Adaptor: Input AC 100-240V 50- 60 Hz

- Output DC 5V 1200mA

**Specifications are subject to change without further notice.**

**Copyright by Wörlein GmbH, D 90556 Cadolzburg.**