



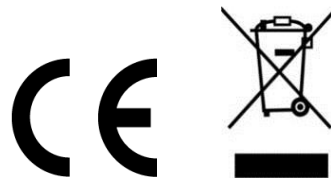
DEUTSCH
ENGLISH
FRANÇAIS
NEDERLANDS

ITALIANO
NORSK
ČEŠTINA

Hersteller

Wörlein GmbH
Gewerbestr. 12
D 90556 Cadolzburg
GERMANY

Tel.: +49 9103/71670
Fax.: +49 9103/716712
Email: info@woerlein.com
Web: www.woerlein.com



Contents

Important Safety Instructions	2
Safety	2
Identifying the Parts	4
Main Unit.....	4
Remote Control.....	5
Preparations	6
Prepare the Remote Control	6
Replace the Remote Control Battery:	6
Install Batteries	6
Connections	7
Connect the FM/DAB antenna	7
Use LINE IN socket.....	7
Connect Power.....	7
Set the Clock	8
Set the Alarm Timer	9
General Operation	9
Standby/ON	9
Select Modes.....	10
Set the Sleep Timer.....	10
Adjust the Brightness.....	10
Adjust the Volume	10
Select the Equaliser.....	10
LINE IN Operation.....	10
Bluetooth Operation	11
Pair Bluetooth-enabled Device	11
Listen to Music from Bluetooth Device	11
Radio Operation	12
Auto Scan and Save Preset Station	12
Tuning in a Station	12
Presetting Stations Manually	12
DAB Operation	13
Manual DAB tuning	13
Saving your favourite stations.....	13
Listening to a saved favourite station	13
Radio information	13
Radio system reset.....	13
Troubleshooting	14
Specifications	15
Standard Accessories	15

Important Safety Instructions





The lightning flash with arrowhead symbol, within an equilateral triangle, is intended to alert the user to the presence of uninsulated "dangerous voltage" within the product's enclosure that may be of sufficient magnitude as to constitute a risk of electric shock to persons.



The exclamation point within an equilateral triangle is intended to alert the user to the presence of important operating and

maintenance (servicing) instructions in the literature accompanying the appliance.

	CAUTION RISK OF ELECTRIC SHOCK DO NOT OPEN	
CAUTION: TO REDUCE THE RISK OF ELECTRIC SHOCK, DO NOT REMOVE COVER (OR BACK). NO USER-SERVICEABLE PARTS INSIDE. REFER SERVICING TO QUALIFIED SERVICE PERSONNEL.		

Safety

- 1 **Read these instructions** - All the safety and operating instructions should be read before this product is operated.
- 2 **Keep these instructions**-The safety and operating instructions should be retained for future reference.
- 3 **Heed all warnings** - All warnings on the appliance and in the operating instructions should be adhered to.
- 4 **Follow all instructions** - All operating and use instructions should be followed.
- 5 **Do not use this apparatus near water** - The appliance should not be used near water or moisture - for example, in a wet basement or near a swimming pool and the like.
- 6 Clean only with a dry cloth.
- 7 Do not block any ventilation openings. Install in accordance with the manufacturer's instructions.
- 8 Do not install near any heat sources such as radiators, heaters, stoves, or other apparatus (including amplifiers) that produce heat.
- 9 Do not defeat the safety purpose of the polarized or grounding-type plug. A polarized plug has two blades with one wider than the other. A grounding type plug has two blades and a third grounding prong. The wide blade or the third prong is provided for your safety. If the provided plug does not fit into your outlet, consult an electrician for replacement of the obsolete outlet.
- 10 Protect the power cord from being walked on or pinched, particularly at plugs, convenience receptacles and at the point where they exit from the apparatus.
- 11 Only use attachments/accessories specified by the manufacturer.
- 12 Use only with the cart, stand, tripod, bracket, or table specified by the manufacturer, or sold with the apparatus. When a cart or rack is used, use caution when moving the cart/apparatus combination to avoid injury from tip-over.
- 13 Unplug the apparatus during lightning storms or when unused for long periods of time.
- 14 Refer all servicing to qualified personnel. Servicing is required when the apparatus has been damaged in any way, such as power supply cord or plug is damaged, liquid has been spilled or objects have fallen into the apparatus, the unit has been exposed to rain or moisture, does not operate normally, or has been dropped.
- 15 This equipment is a Class II or double insulated electrical appliance. It has been designed in such a way that it does not require a safety connection to electrical earth.
- 16 The apparatus shall not be exposed to dripping or splashing. No objects filled with liquids, such as vases, shall be placed on the apparatus.
- 17 Minimum distance around the apparatus for sufficient ventilation is 5cm.



- 18 The ventilation should not be impeded by covering the ventilation openings with items, such as newspapers, table-cloths, curtains, etc...
- 19 No naked flame sources, such as lighted candles, should be placed on the apparatus.

Caution:

- Use of controls or adjustments or performance of procedures other than those described herein, may result in hazardous radiation exposure or other unsafe operation.
- To reduce the risk of fire or electric shock, do not expose this apparatus to rain or moisture. The apparatus must not be exposed to dripping or splashing and objects filled with liquids, such as vases, must not be placed on apparatus.
- The mains plug/appliance coupler is used as the disconnect device, the disconnect device must remain readily operable.
- Danger of explosion if battery is incorrectly replaced.
- Replace only with the same or equivalent type.

Warning

- The battery (batteries or battery pack) shall not be exposed to excessive heat such as sunshine, fire or the like.
- Before operating this system, check the voltage of this system to see if it is identical to the voltage of your local power supply.
- Do not place this unit close to strong magnetic fields.
- Do not place this unit on the amplifier or receiver.
- Do not place this unit close to damp areas as the moisture will affect the life of the laser head.
- If any solid object or liquid falls into the system, unplug the system and have it checked by qualified personnel before operating it any further.
- Do not attempt to clean the unit with chemical solvents as this may damage the finish. Use a clean, dry or slightly damp cloth.
- When removing the power plug from the wall outlet, always pull directly on the plug, never yank on the cord.
- No naked flame sources, such as lighted candles, should be placed on the apparatus.
- Changes or modifications to this unit not expressly approved by the party responsible for compliance will void the user's authority to operate the equipment.
- The rating label is pasted on the bottom or back of the equipment.



DO NOT INGEST BATTERY, CHEMICAL BURN HAZARD

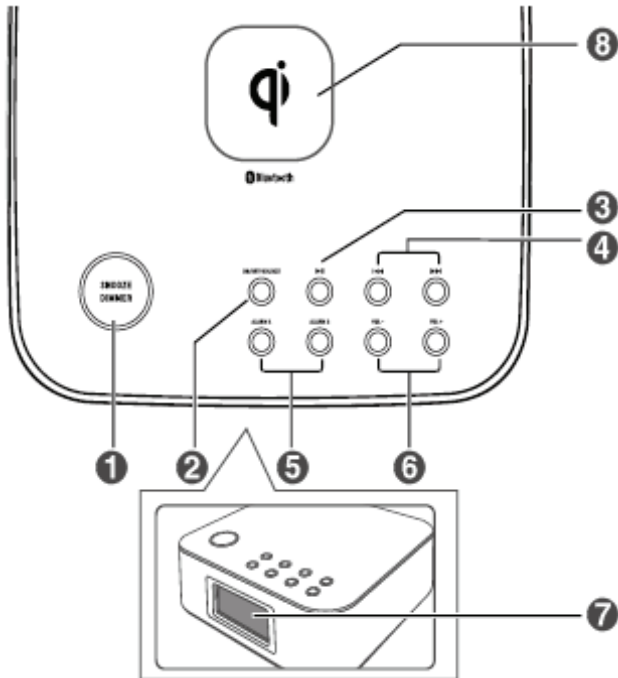
If you think batteries might have been swallowed or placed inside any part of the body, seek immediate medical attention. Keep new and used batteries away from children. If the battery compartment does not close securely, stop using the product and keep it away from children. The remote control supplied with this product contains a coin/button cell battery. If the coin/button cell battery is swallowed, it can cause severe internal burns in just 2 hours and lead to death.

The appliance is not intended for use by young children or infirm persons without supervision.

Young children should be supervised to ensure that they do not play with the appliance.

Identifying the Parts

Main Unit



1 SNOOZE/DIMMER

- Repeat the alarm.
- Adjust the display brightness.
- Enter into time setup.

2 ON/OFF/SOURCE

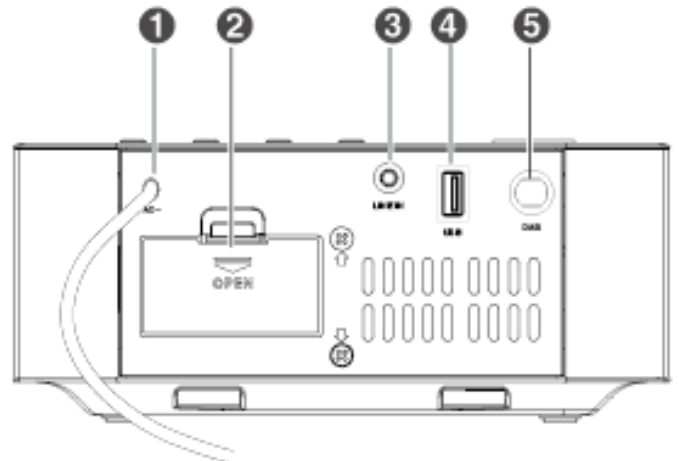
- Switch the unit between ON and Standby mode.
- Select the play function.

3 PAIR

- In Bluetooth mode, start or pause playback.
- Press and hold to enable Bluetooth pairing mode in Bluetooth mode.
- Search for a strong radio station in FM mode / Full scan in DAB Mode.

4 Navigation Buttons

- In Bluetooth mode, skip to previous/next track.
- Search for a radio station (FM).
- Navigate to select an item on a menu screen (DAB).
- Select the secondary station (DAB).



5 ALARM 1/ALARM 2

- Set the alarm timer.
- View alarm settings.

6 VOLUME +/-

- Increase or decrease the volume level.

7 Display Panel

- Show the current status.

8 (Qi) Charging

Rear View

1 AC~ Connect to power.

2 Battery Compartment

3 LINE IN socket

Connect to an external audio device.

4 USB socket

Use this socket to charge your smartphone and tablet PC.

5 Antenna (FM/DAB) socket

Remote Control

1

- Switch the unit between ON and Standby mode.

2 DIMMER

- Adjust display brightness.

3 SCAN

- Scan for radio stations in either DAB or FM modes.

4 INFO

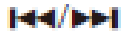
- View information of FM/DAB radio stations.

5 MENU

- Displays menu screen.
- In the standby mode, press and hold to switch to the CLOCK SYNC mode.

6 ▲/▼

- Select a next/previous preset station.
- Adjust the time.



- In Bluetooth mode, skip to previous/next track.
- Search for a radio station (FM).
- Navigate to select an item on a menu screen (DAB).
- Select the secondary station (DAB).



- In Bluetooth mode, start or pause playback.
- Press and hold to enable Bluetooth pairing mode in Bluetooth mode.
- Confirm the selection on a menu screen.

7 RDS

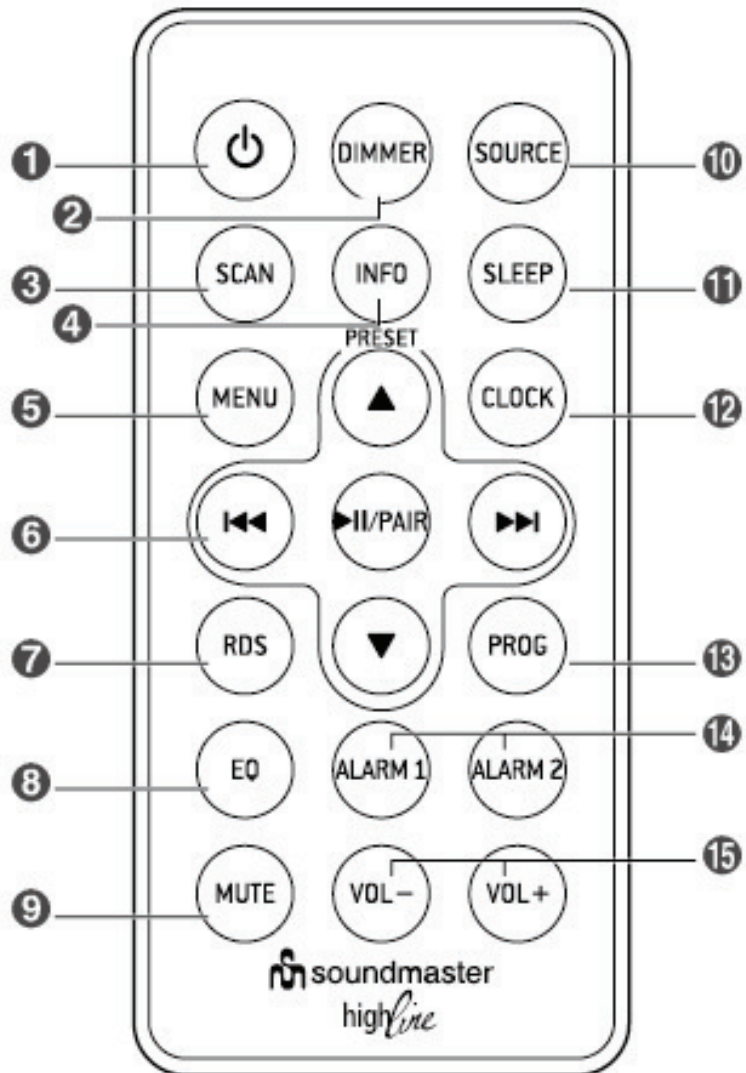
- In TUNER mode, press this button to view the RDS information.

8 EQ

- Select a preset sound effect: POP, CLASSIC, ROCK, JAZZ, FLAT.

9 MUTE

- Mute or resume the sound.



10 SOURCE

- Select the play function.

11 SLEEP

- Set the sleep timer.

12 CLOCK

- Press and hold this button in the standby mode to set the clock.

13 PROG

- Preset radio stations.

14 ALARM 1/ALARM 2

- Set the alarm timer.
- View alarm settings.

15 VOL+ /VOL-

- Increase/decrease the volume level.

Preparations

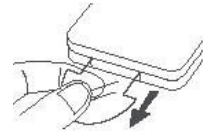
Prepare the Remote Control

The provided Remote Control allows the unit to be operated from a distance.

- Even if the Remote Control is operated within the effective range (6m), remote control operation may be impossible if there are any obstacles between the unit and the remote control.
- If the Remote Control is operated near other products which generate infrared rays, or if other remote control devices using infrared rays are used near the unit, it may operate incorrectly. Conversely, the other products may operate incorrectly.

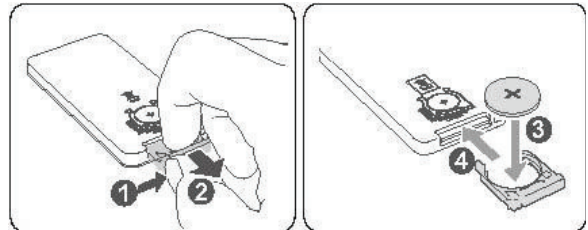
For First-time use:

The unit has a pre-installed lithium CR2025 battery. Remove the protective tab to activate the remote control battery.



Replace the Remote Control Battery:

- 1 Pull out the battery tray and remove the old battery.
- 2 Avoid touching top/bottom of the battery or it may impair performance.
- 3 Place a new CR2025 battery into the battery tray with correct polarity (+/-) as indicated.
- 4 Insert the battery tray back into the slot.



Precautions Concerning Batteries

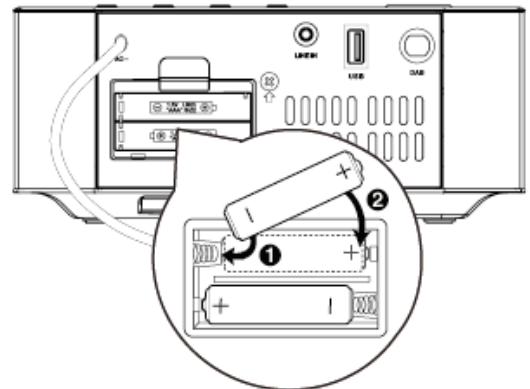
- When the Remote Control is not to be used for a long time (more than a month), remove the battery from the Remote Control to prevent it from leaking.
- If the batteries leak, wipe away the leakage inside the battery compartment and replace the batteries with new ones.
- Do not use any batteries other than those specified.
- Do not heat or disassemble batteries. Never throw them in fire or water.
- Do not carry or store batteries with other metallic objects. Doing so could cause batteries to short circuit, leak or explode.
- Never recharge a battery unless it is confirmed to be a rechargeable type.

Install Batteries

Note:

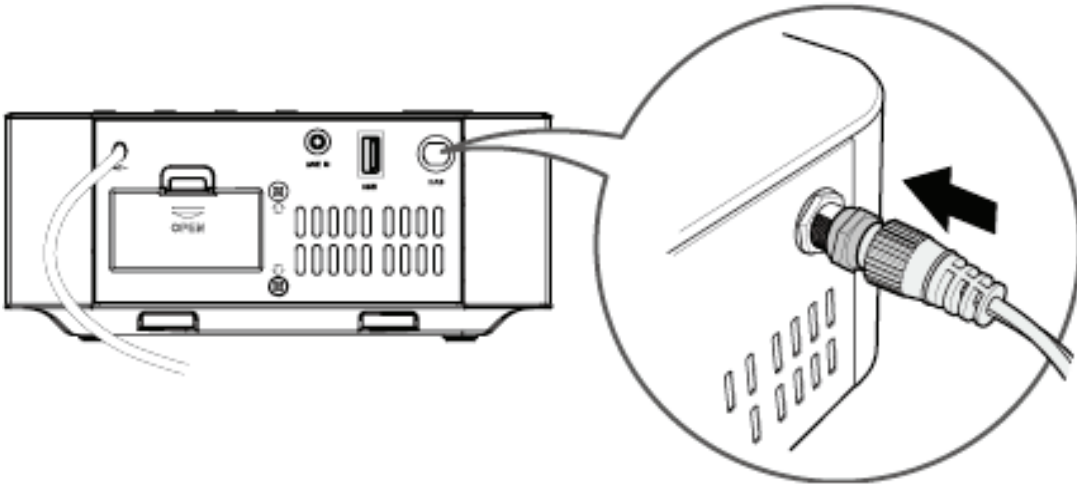
- You can only use AC power as power supply. Batteries (not supplied) are for backup purpose.
- If the system is unplugged or if a power failure occurs, all setups of the unit will be erased unless there are batteries in the unit and don't change them at this time. Once setups had be erased, please resetup all items (tuner stations; Source...) which you desire.

- 1 Open the batteries compartment.
- 2 Install two AAA batteries (not supplied) with correct polarity and the install steps as indicated.
- 3 Close the battery compartment.



Connections

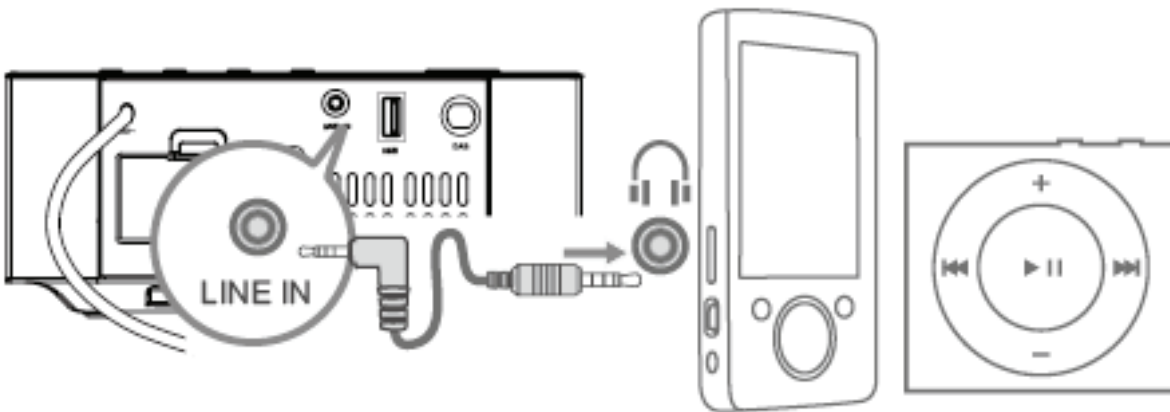
Connect the FM/DAB antenna



- Connect the supplied antenna to the **DAB** socket on the rear of the unit by turning the antenna's screw cap clockwise. Do not over tighten as this could damage the antenna.
- To avoid noisy interference, keep the antenna away from the unit, the connecting cord and the power cord.
- You may need to reposition the aerial for optimum reception.
- The best position is dependent on the station and the strength of the signal.

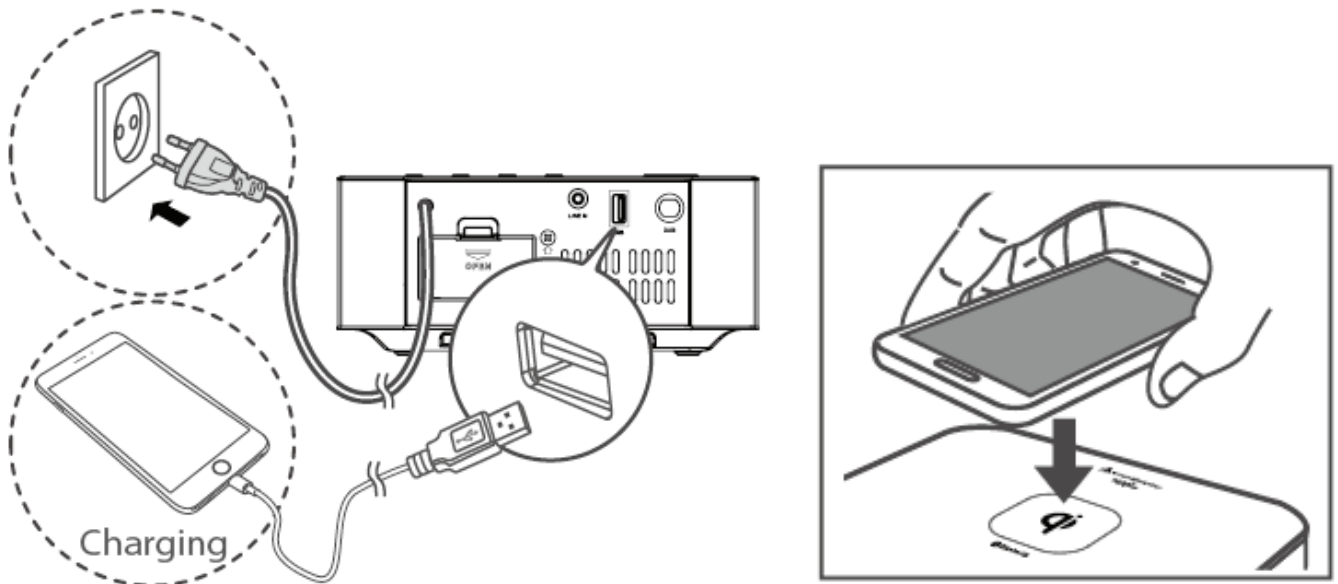
Use LINE IN socket

- Use a 3.5mm to 3.5mm audio cable (included) to connect the audio player's headphone socket to the **LINE IN** socket on the unit.



Connect Power

- **Risk of product damage!** Ensure that the power supply voltage corresponds to the voltage printed on the rating label on the back or the underside of the unit.
- Be sure to unplug the power cord from the outlet when the system is not in use for an extended period of time.
- Connect the AC power cord to the wall socket.



- **Use USB Charging socket**
 - Connect a USB cable (not supplied) to **USB** socket to charge your smartphone or tablet PC.
- **Uses of Qi (wireless charging)**
 - This function only works with mobile devices that support **Qi** technology.
 - Put your device with the backside to the logo, the device screen is informing you about the charging status.

Note: It can be happen that the DAB & FM radio reception is affected while charging the device with Qi technology.

Set the Clock

Synchronization the Clock

1. In the standby mode, press and hold the **MENU** button on the remote control for few seconds, then the unit will enter the CLOCK SYNC mode.
2. Press the **▲/▼** buttons on remote control or **H/G** buttons on the to switch the clock synchronization modes:
 - **RDS** Only synchronize with the RDS radio station.
 - **OFF** Turn off the clock synchronization function, only adjust the clock manually.
3. Then press the **BF** button on the unit or the **BF/PAIR** button on the remote control to confirm.

Manual Setting the Clock

- 1 In **STANDBY** mode, press and hold the **CLOCK** button on the remote control or the **SNOOZE/DIMMER** button on the main until the hour indicator blinks.
- 2 Set the hour with **▲/▼** button on remote control or **H/G** button on main unit.
- 3 Press the **CLOCK** button on remote control or **SNOOZE** button on main unit to confirm.
- 4 Repeat steps 2-3 to set the minutes.

Note: During Time Setup, press the **BF** button to select 12/24 hour format.





Set the Alarm Timer

Before setting the alarms ensure the time shown on the clock is correct.

1. Press and hold the **ALARM (1 or 2)** buttons in standby mode for a few seconds and the hour digits will flash. Press the **▲/▼** buttons on the remote control or the **H/G** buttons on main unit to set the hour you wish to woken.
2. Press the **ALARM (1 or 2)** button and the minutes digits will flash. Press the **▲/▼** buttons on the remote control or the **H/G** buttons on main unit to set the minutes.
3. Press the **ALARM (1 or 2)** button again and press the **▲/▼** buttons on the remote control or the **H/G** buttons on main unit to select an alarm sound. You can select either FM or DAB or beeps (BUZZER).
4. Press the **ALARM (1 or 2)** button again and the flashing volume level will be displayed. Press the **▲/▼** buttons on the remote control or the **H/G** buttons on main unit to select the volume level.

Note: Set the volume to at least level 5. Please add to ensure alarm can be heard.

Activate and Deactivate the Alarm Timer

- Press the **ALARM 1** or **ALARM 2** button to activate the alarm.
- The alarms are active when  or  both are shown in the display on the front of the unit.
- To deactivate the alarms, press the **ALARM (1 or 2)** button. The  and/or  will disappear from the display on the front of the unit.

Repeat Alarm

You can press to adjust the interval to repeat alarm. When the alarm rings, press the **SNOOZE/DIMMER** button on main unit, the alarm repeats ringing 9 minutes later.

Stop Alarm Ring

When the alarm rings, press the corresponding **ALARM (1 or 2)** button. The alarm stops but the alarm settings remain.

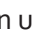

View the Alarm Settings

Press the **ALARM 1** or **ALARM 2** buttons to view the alarm settings.

General Operation

Standby/ON

When you first connect the unit to the mains socket, the unit will be in STANDBY mode.

- Press the **ON/OFF/SOURCE** button on the main unit or the  button on the remote control to switch the main unit ON.
- Press and hold the **ON/OFF/SOURCE** button on the main unit or press the  button on the remote control to switch the main unit back to Standby mode.
- Disconnect the mains plug from the mains socket if you want to switch the unit off completely.

Note: If there is no signal under the **LINE IN** and **BLUETOOTH** mode, the unit will automatically switch off within 15 minutes.

Select Modes

- Press the **ON/OFF/SOURCE** button on the main unit or **SOURCE** button on the remote control to select between **LINE IN**, **BLUETOOTH**, **DAB** and **FM** mode.

Set the Sleep Timer

This unit can switch to standby automatically after a set period of time.

- 1 Press the **SLEEP** button repeatedly to select a set period of time (in minutes).
 - When the sleep timer is activated, the display show , the volume will gradually decrease before the unit power off.
- 2 Press the **SLEEP** button repeatedly until [00] is displayed.
 - When the sleep timer is deactivated, **zZ** disappears on the display.

Adjust the Brightness

- Press the **DIMMER** button repeatedly to select different levels of display brightness.

Adjust the Volume

- Press the **VOL+/-** buttons to adjust the volume level.
- Press the **MUTE** button to mute the sound. Press this button again or press the **VOL +/-** to cancel the effect.

Select the Equaliser

- During play, press the **EQ** button repeatedly to select: POP, CLASSIC, ROCK, JAZZ, FLAT.

LINE IN Operation

You can listen to an external audio device through this unit.

- 1 Ensure that the unit is connected to the TV or audio device.
- 2 While in the ON mode, press the **ON/OFF/SOURCE** button on the main unit or press the **SOURCE** button on the remote control repeatedly to select the **LINE IN** source.
- 3 Press the **VOL+/VOL-** buttons to adjust the volume to your desired level.
4. In **LINE IN** mode, operate your audio device directly for playback features.

Bluetooth Operation

Pair Bluetooth-enabled Device

The first time you connect your bluetooth device to this player, you need to pair your device to this player.

Note:

- The operational range between this player and a Bluetooth device is approximately 8 meters (without any object between the Bluetooth device and the unit).
 - Before you connect a Bluetooth device to this unit, ensure you know the device's capabilities.
 - Compatibility with all Bluetooth devices is not guaranteed.
 - Any obstacle between this unit and a Bluetooth device can reduce the operational range.
 - If the signal strength is weak, your Bluetooth receiver may disconnect, but it will re-enter pairing mode automatically.
- 1 During ON mode, press the **ON/OFF/SOURCE** button repeatedly on the unit or press the **SOURCE** button on the remote control to select Bluetooth mode. "NO BT" will show on the display if the unit is not paired to any Bluetooth device. The system has entered pairing mode.
 - 2 Activate your Bluetooth device and select the search mode. "UR411S1" will appear on your Bluetooth device.
 - 3 Select "UR411S1" in the pairing list. Display panel show "BLUET" while the pairing succeeds.

Tips:

- Enter "0000" for the password if necessary.
- If a connection exist, press and hold "BF/PAIR" button on remote control or the BF on unit for a few seconds to re-activate the pairing mode, the connection will be interrupted.
- If no other bluetooth device pairs with this player within two minutes, the player will recover its previous connection.
- The player will also be disconnected when your device is moved beyond the operational range.
- If you want to reconnect your device to this player, place it within the operational range.
- If the device is moved beyond the operational range, when it is brought back, please check if the device is still connected to the player.
- If the connection is lost, display panel show "NO BT". Follow the instruction above to pair your device to the player again.

Listen to Music from Bluetooth Device

- If the connected Bluetooth device supports Advanced Audio Distribution Profile (A2DP), you can listen to the music stored on the device through the player.
 - If the device also supports Audio Video Remote Control Profile (AVRCP) , you can use the player's remote control to play music stored on the device.
1. Pair your device with the player.
 2. Start to play music via your device (if it supports A2DP).
 3. Use supplied remote control to control play (if it supports AVRCP).
 - To pause/resume play, press the BF button.

- To skip to a track, press the H/G buttons.

Radio Operation

Auto Scan and Save Preset Station

- 1 Press the **ON/OFF/SOURCE** button on the unit or press the **SOURCE** button on the remote control repeatedly to select FM mode.
- 2 Press and hold the **BF** button on the main unit or press the **SCAN** button on the remote control to activate automatic programming. All available stations are programmed in the order of waveband reception strength.
 - The first programmed radio station is played automatically.
- 3 To select and listen to a saved radio station, press the **▲** or **▼** buttons to skip to the previous/next preset radio station.

Tuning in a Station

- **Tune in radio stations automatically**
 - Press and hold the H/G buttons, the frequency changes down or up automatically until a station is found.

Note: The search may not stop at a station with a very weak signal.

- **Tune in radio stations manually**
 - Press the H/G buttons repeatedly until you find the station you want.

Note: If reception is still poor, try to adjust the position of the aerial or try to move the radio to another location.

Presetting Stations Manually

You can store up to 20 of your favourite stations to the memory. This will enable you to access your favourite stations quickly and easily.

- 1 Tune in the desired station, then press the **PROG** button.
- 2 Press the **▲/▼** buttons to select the preset number.
- 3 Press the **PROG** button to store the station.
- 4 Repeat above steps 1 to 3 for each station you want to store in memory with a preset number.

DAB Operation

- Your DAB radio will automatically tune to all available stations when the unit switching to DAB mode for the first time.
- To retune, or search for new stations, press and hold the **BF** button on the main unit or press the **SCAN** button to perform a full scan.
- To select the DAB station use the **H/G** buttons and then press the **BF/PAIR** button on the remote control to confirm.

Manual DAB tuning

- Manually tuning your DAB radio may help if some stations have been missed by the automatic tuning.
- In DAB mode press the **MENU** to enter the DAB menu.
- Press the **H/G** buttons to select **MANUAL**.
- Press the **BF/PAIR** to confirm the selection. The DAB radio frequency will be displayed.
- Press the **H/G** button to select a frequency you want to scan, then press the **BF/PAIR** button to start the scan.

Saving your favourite stations

- Press and hold the **PROG** button. The number of preset positions will appear and flash on the display.
- Press the **I** or **▼** buttons repeatedly to select the desired preset position from 01 to 20.
- Press the **PROG** button to confirm your selection. The message **STORE** will appear on the display.

Listening to a saved favourite station

- To select and listen to a saved radio station, press the **▲** or **▼** buttons on the remote control to skip to the previous/next preset radio station.

Radio information

- When using the radio in **DAB** or **FM** mode you can view the programme information display by pressing the **INFO** button on the remote control repeatedly to scroll through the list of features.

Radio system reset

There may be times when you need to reset the unit back to the factory settings, for example if you move house or if you experience reception problems. Resetting the unit will erase all tuned and preset stations.

- Press the **SOURCE** button to select **FM** or **DAB** mode.
- Press the **MENU** button, and use the **H/G** buttons to select "**SYSTEM**" and then press **BF/PAIR** button to confirm the selection. The display shows "**RESET**".
- Press the **BF/PAIR** button, the display shows "**RESET N**".
- Press the **BF/PAIR** button to cancel or press the **H/G** buttons to select "**RESET Y**" and press the **BF/PAIR** button to confirm.
- When the reset is complete, the unit will start scanning for **FM** or **DAB** channels immediately.

Troubleshooting

To keep the warranty valid, never try to repair the system yourself. If you encounter problems when using this unit, check the following points before requesting service.

No power

- Ensure that the AC cord of the apparatus is connected properly.
- Ensure that the unit is switched on.

Remote control does not work

- Before you press any playback control button, first select the correct source.
- Reduce the distance between the remote control and the unit.
- Insert the battery with its polarities (+/-) aligned as indicated.
- Replace the battery.
- Aim the remote control directly at the sensor on the front of the unit.

Poor radio reception

- Increase the distance between the unit and your TV or VCR.

Clock setting erased

- Power has been interrupted or the power cord has been disconnected.
- Reset the clock.

No Response from the Unit

- Disconnect and reconnect the AC power plug, then turn on the unit again.

I can't find the Bluetooth name of this unit on my Bluetooth device for Bluetooth pairing

- Ensure the Bluetooth function is activated on your Bluetooth device.
- Ensure you have paired the unit with your Bluetooth device.

Specifications

General

Power Supply.....	AC 220-240V~	50/60Hz
Power Consumption.....		25W
Output Power		5W x 2
USB Charging	5V,	2.1A
Total Harmonic Distortion	1%(1kHz, 1W)	
Audio Input Sensitivity		500mV
Frequency Response	40Hz - 20kHz	
FM Range	87.5-108MHz	
DAB Range	174.928-239.2MHz	
Dimensions (W x H x D)	198 x 89 x 198mm	
Speaker Impedance		2Ω

Remote Control

Distance		6m
Angle.....		30°

Standard Accessories

Remote Control	x 1
Owner's Manual.....	x 1
3.5mm to 3.5mm cable	x 1
FM/DAB Antenna.....	x 1

- Features and specifications are subject to change without prior notice.